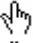






BEACH SHEET METAL COMPANY, INC.

“Pride in Workmanship Since 1952”

HOW TO NAVIGATE THROUGH THIS PDF

The PDF catalog file will open up with the About Beach page on the right and the Bookmarks tab on the left. Bookmarks function as a hyperlinked table of contents.

1. You can expand the Bookmarks display on the left hand side by clicking any triangle or plus sign (+) to expand that menu, then click on a menu item to jump to that page. If a menu is expanded, click the triangle or negative sign (-) to hide it.
 - a. You might want to look at all of the sub-pages in each section before continuing.
2. Hyperlinks are used extensively in this document. You will notice the mouse cursor change to a hand with a pointing finger  when you move your mouse over hyperlinked text or photos. If you “mouse over or roll over” a photo or text, you’ll see the cursor change to indicate there’s a hyperlink present. If a pointing finger appears, there is a hyperlink to another page in this PDF, a web page link, an email link or an enlarged photo.
3. If you click on a photo, it will enlarge.
 - a. If you click on the name or number of the photo it will take you to that products drawing, if applicable.
 - b. If that product does not have a drawing, clicking on the product name will take you back to the full page photo page.
4. On the Product Drawing pages:
 - a. The category name at the top hyperlinks back to that categories product index page.
 - b. The product name and drawing hyperlinks to that products photo, if applicable.
5. On the Product Photo Number Index page:
 - a. All of the names are hyperlinks to a photo and/or a drawing.
 - b. If the product name has a , then it has a photo and if you click on the , it will hyperlink you to the photo.
 - c. If the product name has a , then it has a drawing and if you click on the , it will hyperlink you to the drawing.
6. On pages that have addresses, email and a website address:
 - a. Click on the email address and it will open up your email program to send an email.
 - b. Click on the website address and it will open up your web browser with the business website.



Our Business Home

Catalog Features:

- Dormers*
- Cupolas*
- Conductor Heads*
- Finials*
- Chimney Caps*
- Louvered Vents*
- Specialty Products*

About Beach

Started in 1952, Beach Sheet Metal has been designing and fabricating quality architectural metal products for over 60 years. **We specialize in old world craftsmanship with hand-hammered accents on many of our designs.**

Our 24,000 square foot facility is located 15 minutes from downtown Dallas in Sunnyvale, Texas.

In addition to dormers, cupolas, finials, chimney caps, conductors, roof and wall louvered vents, we also custom fabricate speciality items, including vent hoods, counter tops, column caps and mailboxes.

Most products are offered in copper, lead-coated copper, pre-patina copper, zinc, stainless, pre-finished steel, pre-finished aluminum and paint-grip.

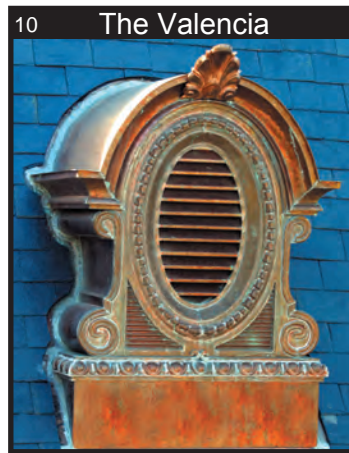
While this catalog represents our standard products, we would welcome the opportunity to work with you in accommodating your custom metal needs. Please note that all catalog products are not pictured.

We have years of experience installing these products and will be glad to offer you guidance and technical support.

All products are crated and shipped in a manner so that they arrive to you in excellent condition.

For more information and pricing, please call: 972.226.4440, fax: 972.226.4441, or email: beach@beachsheetmetal.com

For further product information and color photos of our working drawings, please visit our website at www.beachsheetmetal.com.



Dormers



Cupolas



Custom Vent Hoods

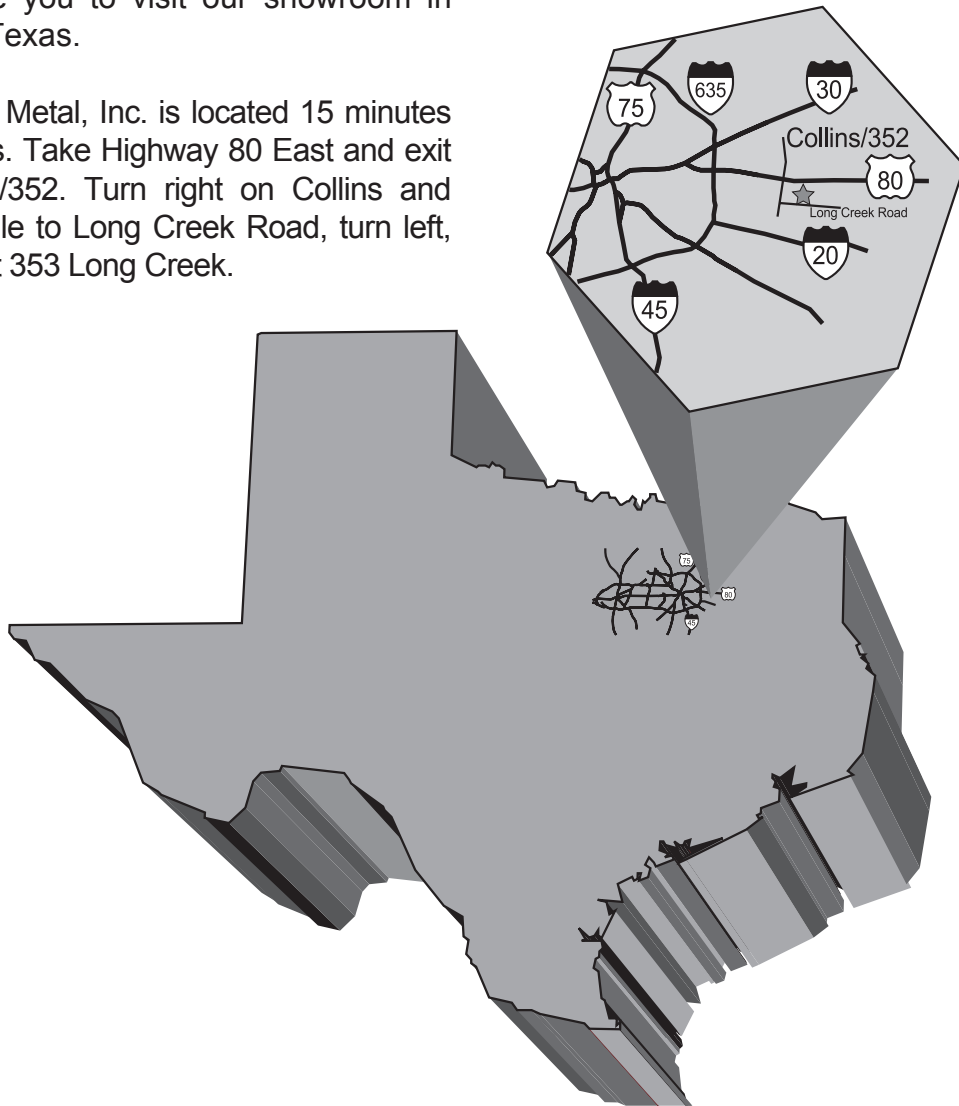


Hand Crafted Artistry

Come See Us!

We welcome you to visit our showroom in Sunnyvale, Texas.

Beach Sheet Metal, Inc. is located 15 minutes east of Dallas. Take Highway 80 East and exit Collins Road/352. Turn right on Collins and proceed 1 mile to Long Creek Road, turn left, and we are at 353 Long Creek.



BEACH SHEET METAL COMPANY, INC.

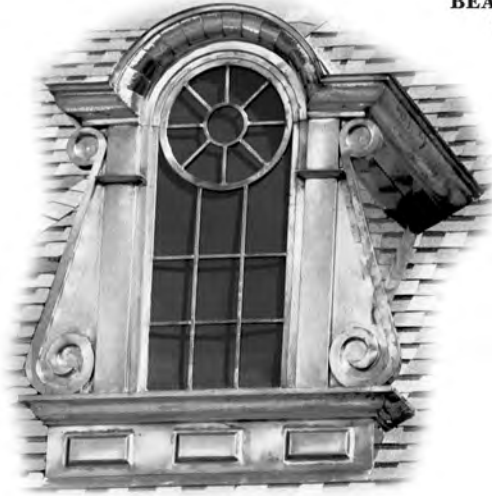
"Pride in Workmanship Since 1952"

We welcome the opportunity to assist you with your custom needs!



BEACH SHEET METAL COMPANY, INC.
"Pride in Workmanship Since 1952"

DORMERS



#1 The Stewart





BEACH SHEET METAL COMPANY, INC.

"Pride in Workmanship Since 1952"

Dormers

Beach Sheet Metal dormers are designed and fabricated to both enhance the architectural appeal of your project and to function as a source of attic ventilation or natural light by installing glass in place of louvers.

These units are totally self-supporting and are designed to be installed without any additional framing.

Our dormers are designed with a tail and headwall flashing so that they can be installed in conjunction with whatever type of roofing material you may select.

The dimensions of these units may be adjusted to accommodate your special conditions.

If you have a design that is not one of our basic models, we welcome the opportunity to build it for you.

NOTE:

Dormers #6, #9, #10 and #61 are lead coated copper.

Dormer #98 is paint-grip steel.

Click this page to go to the Dormer Drawings Index.

We welcome the opportunity to assist you with your custom needs!

Beach Sheet Metal Company, Inc.

353 Long Creek Road Sunnyvale, Texas 75182 972.226.4440 Phone
972.226.4441 Fax beach@beachsheetmetal.com www.beachsheetmetal.com



BEACH SHEET METAL COMPANY, INC.

"Pride in Workmanship Since 1952"

Dormer Drawings

Click on product name to go to the drawing.

Adams

Butterfly

Cavendish

Gable

Half-Round

Lorraine

Madison

Marseille

Mediterranean

Mont Blanc

Monticello

Monticello Gable

Normandy

Regency

Roundtop

Roundtop Moulded

Stewart

Stiles

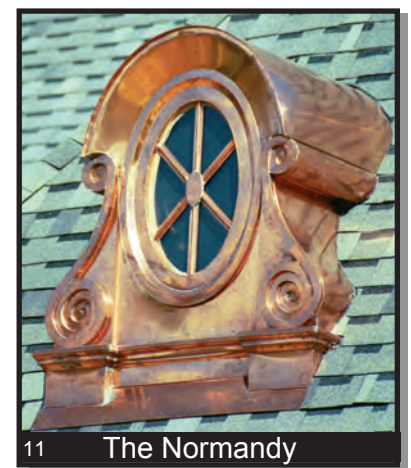
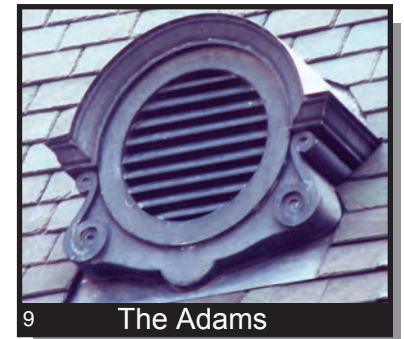
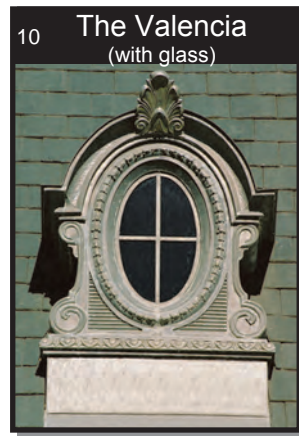
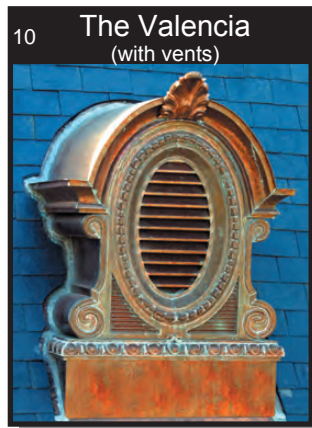
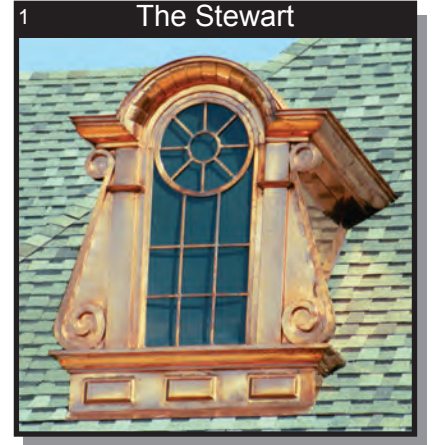
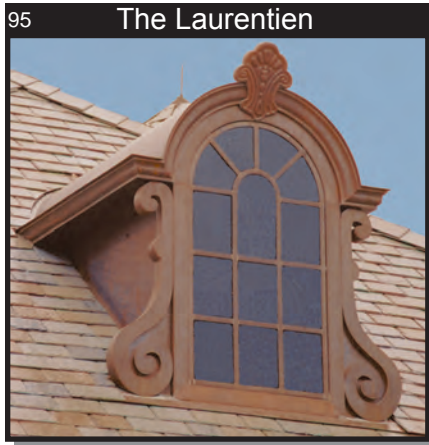
Swooped

Valencia

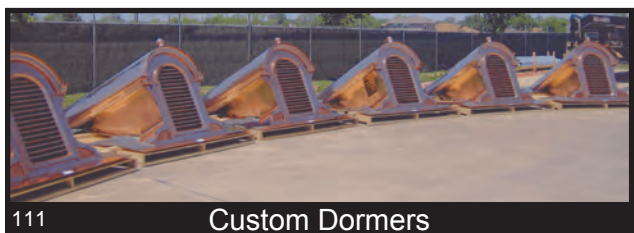
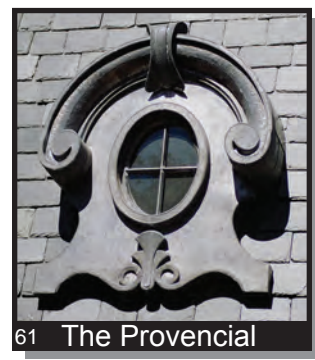
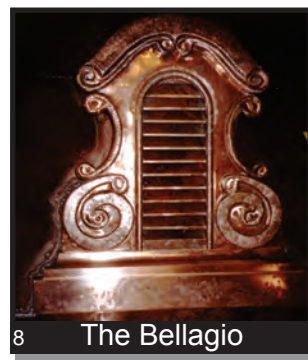
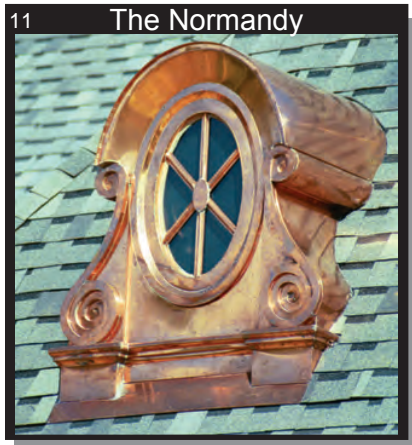
Wilshire

Click here to go to the first Dormer Photo page.

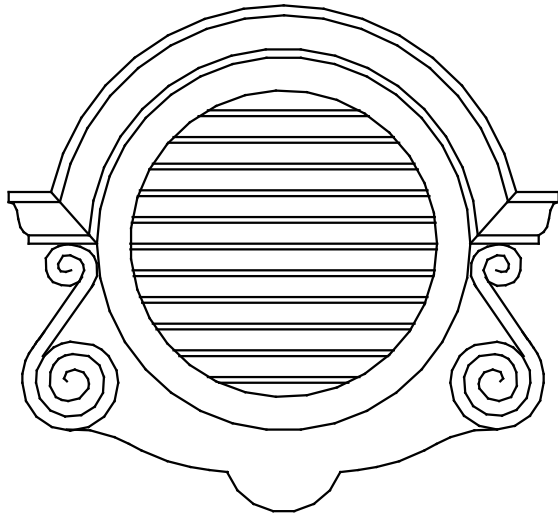
Dormers



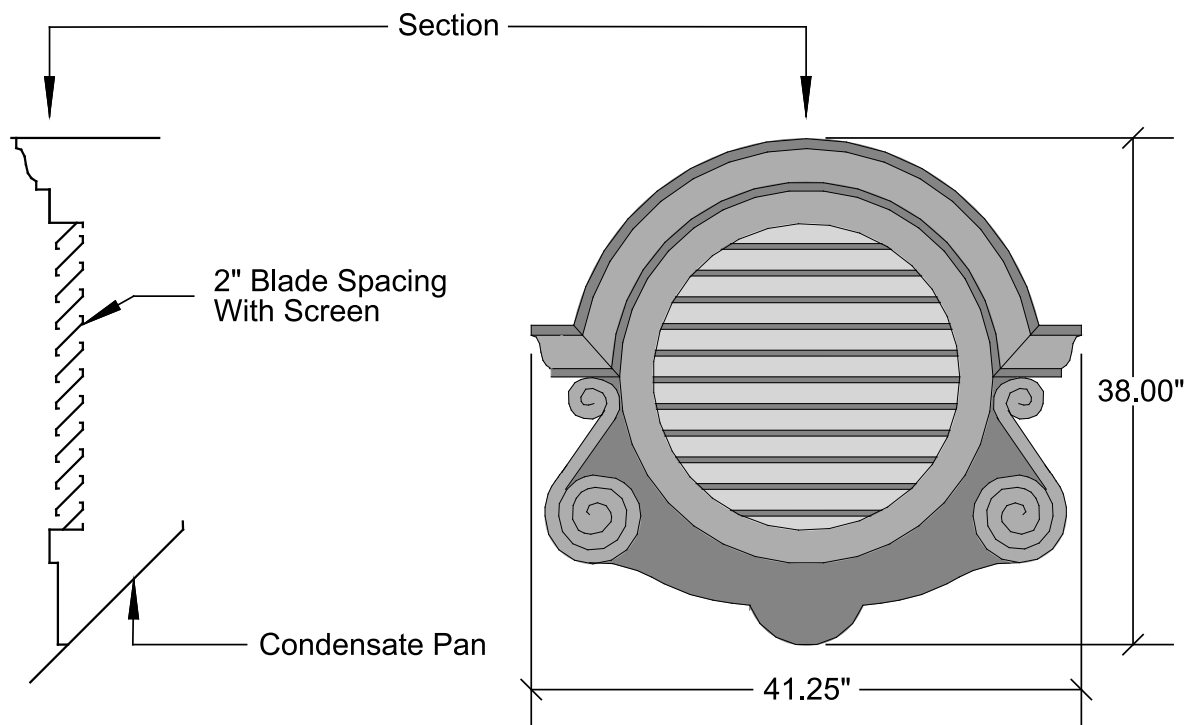
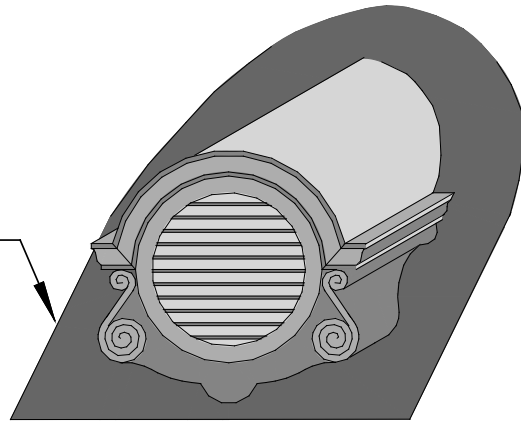
Dormers (Continued)



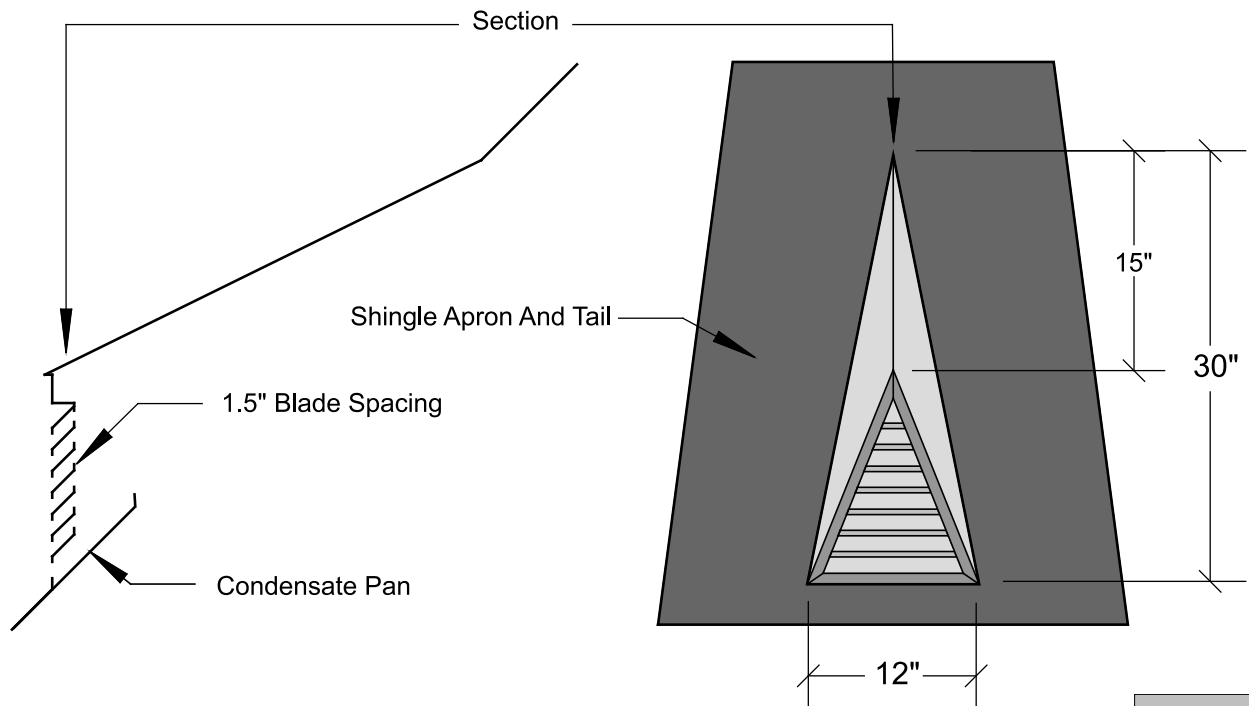
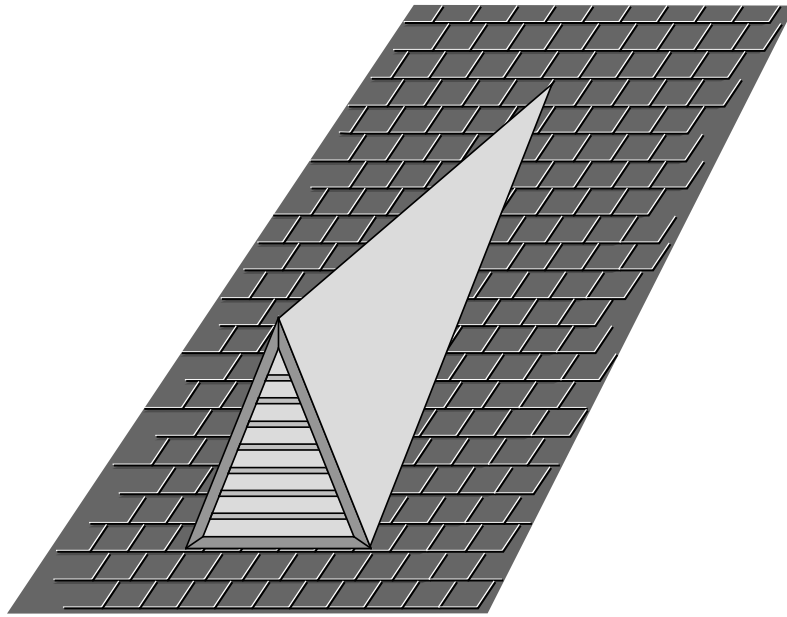
The Adams



Shingle Apron And Tail



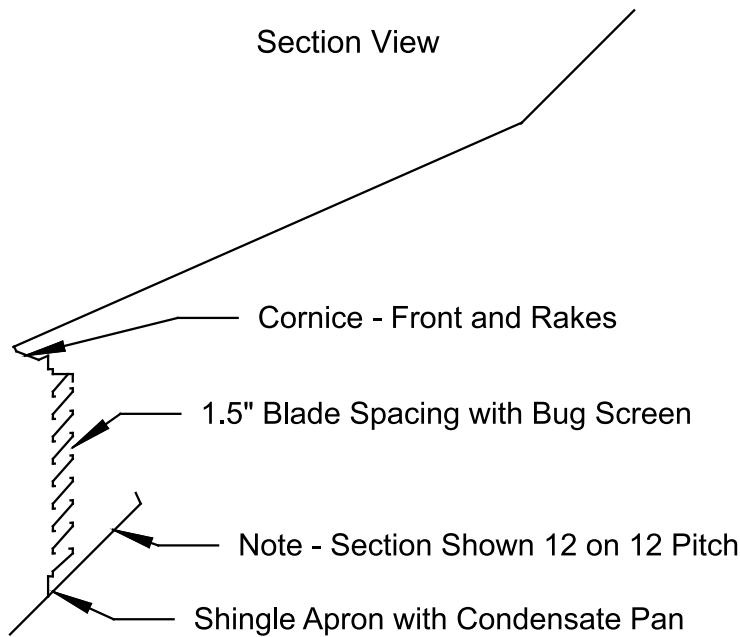
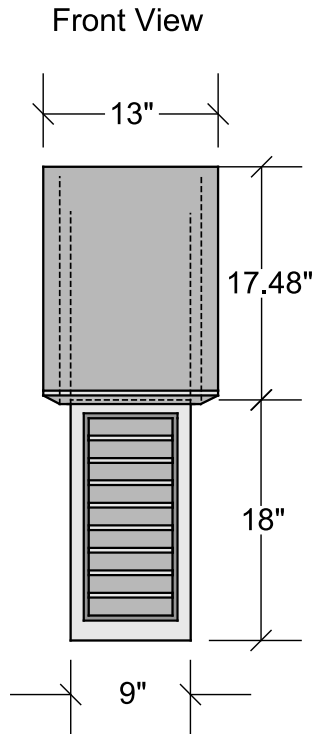
The Butterfly



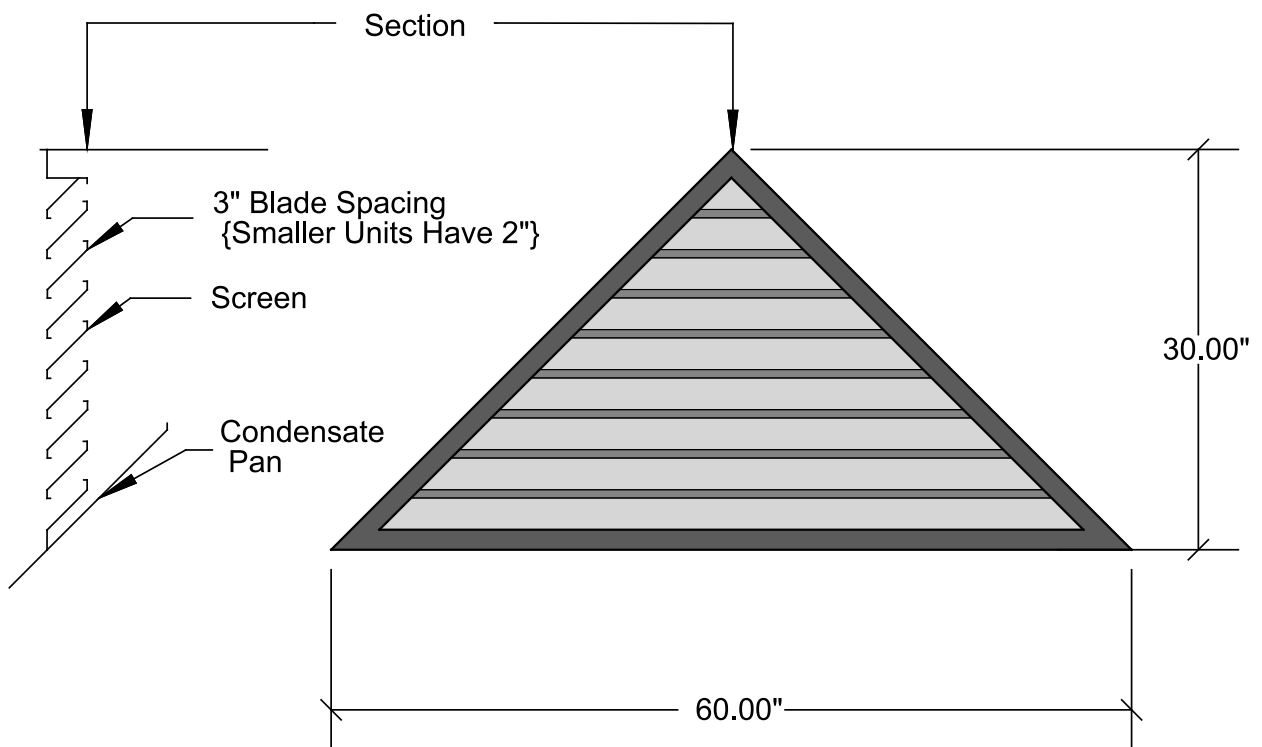
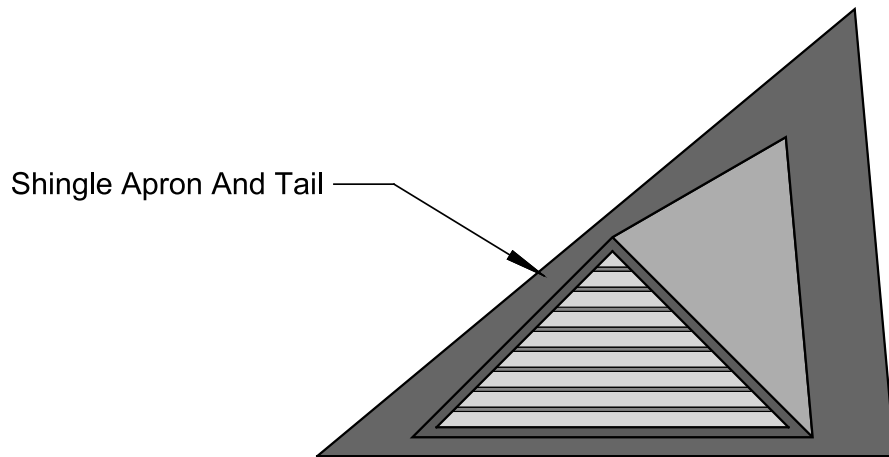
*This unit can be made to any dimension you desire



The Cavendish



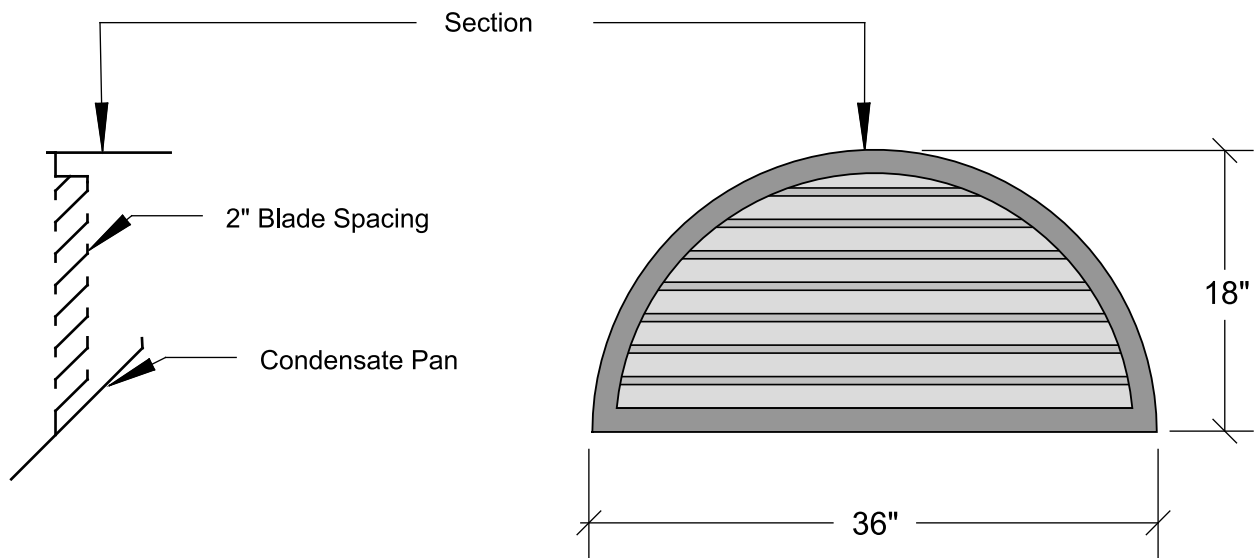
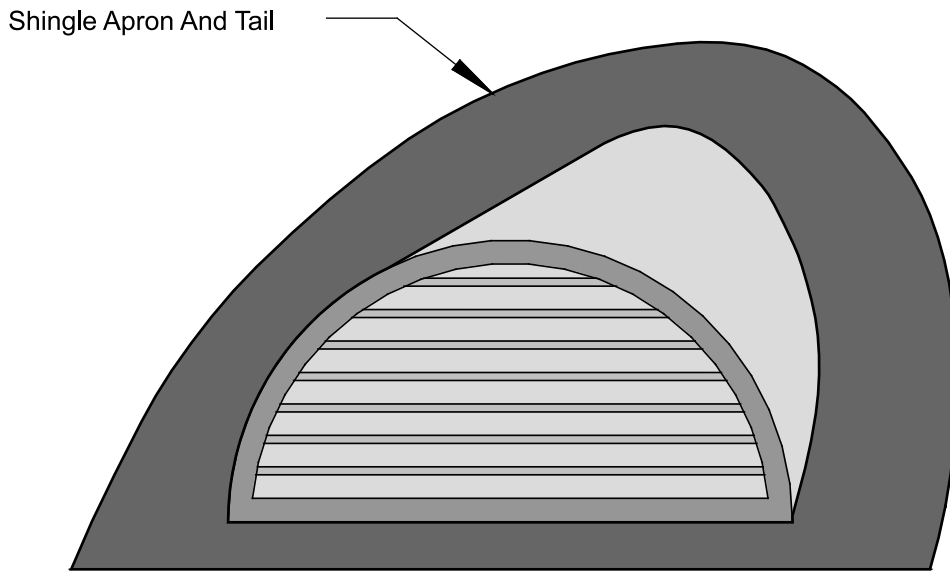
The Gable



*This unit can be made to any dimension you desire

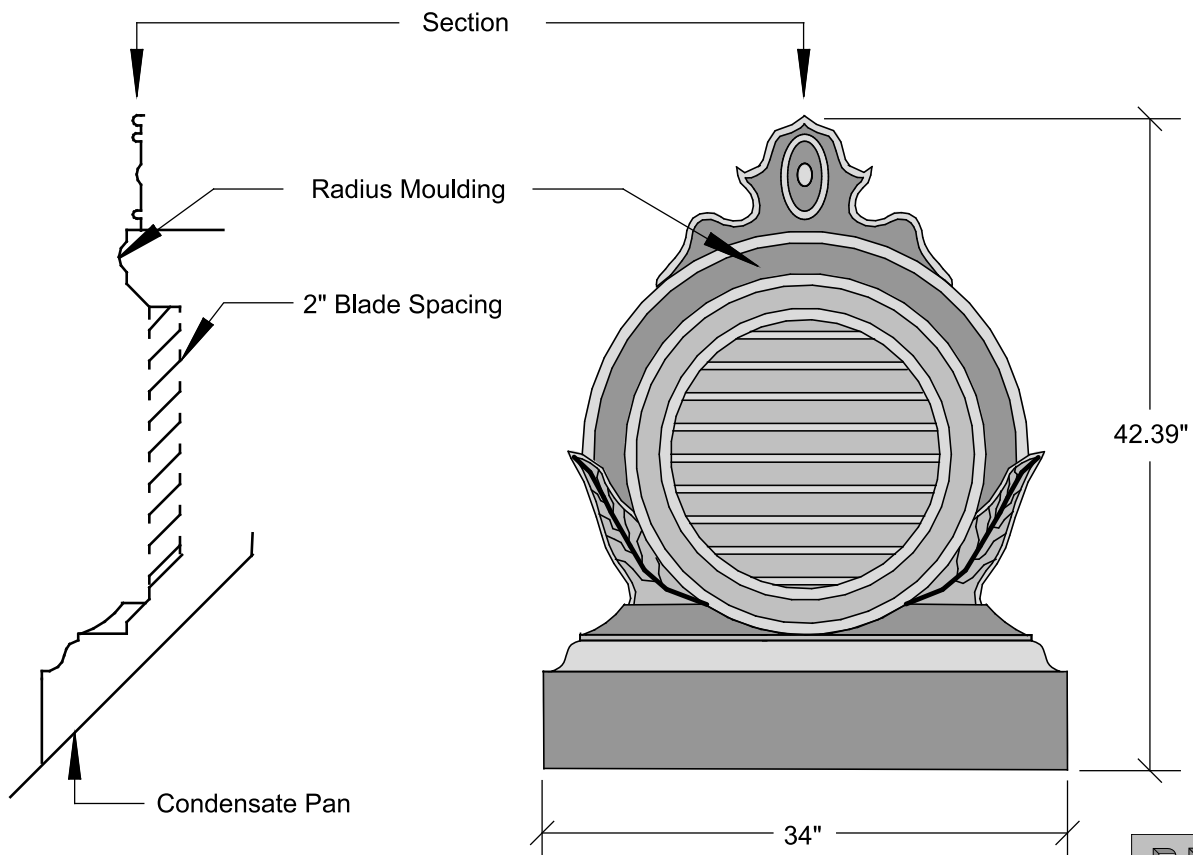
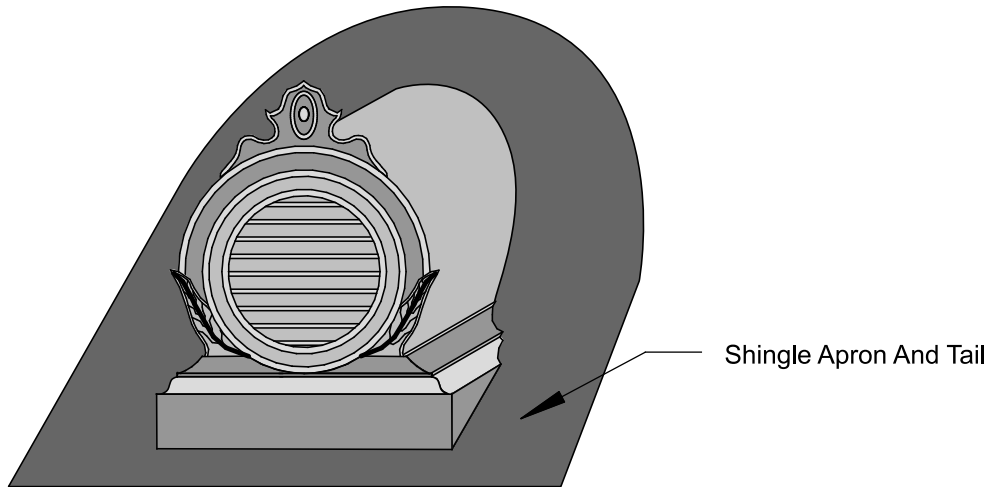


The Half-Round

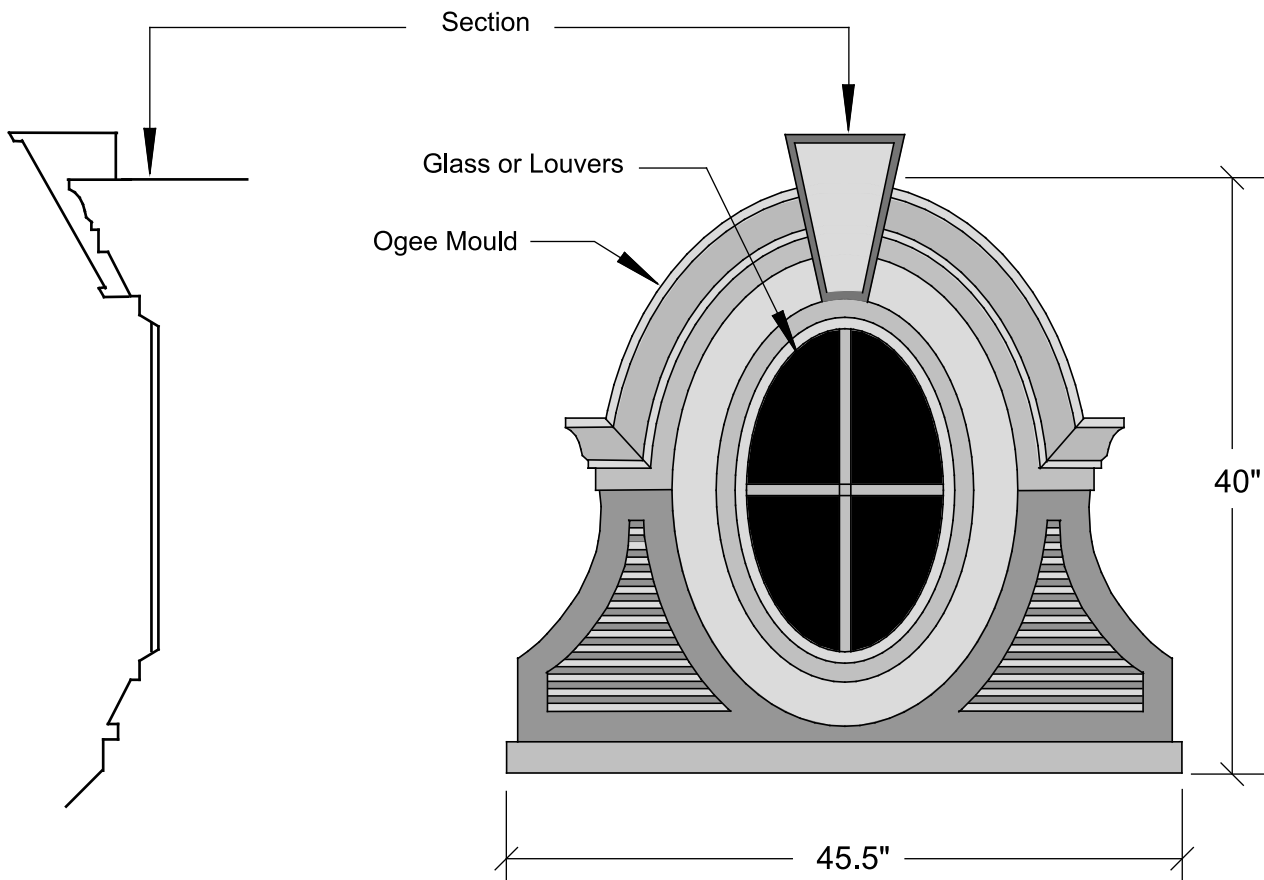
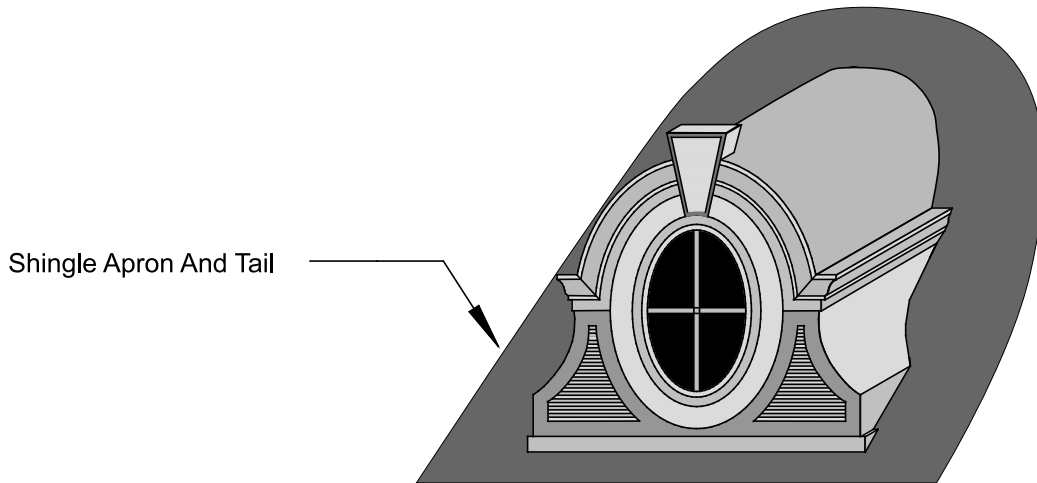


*This unit can be made to any dimension you desire

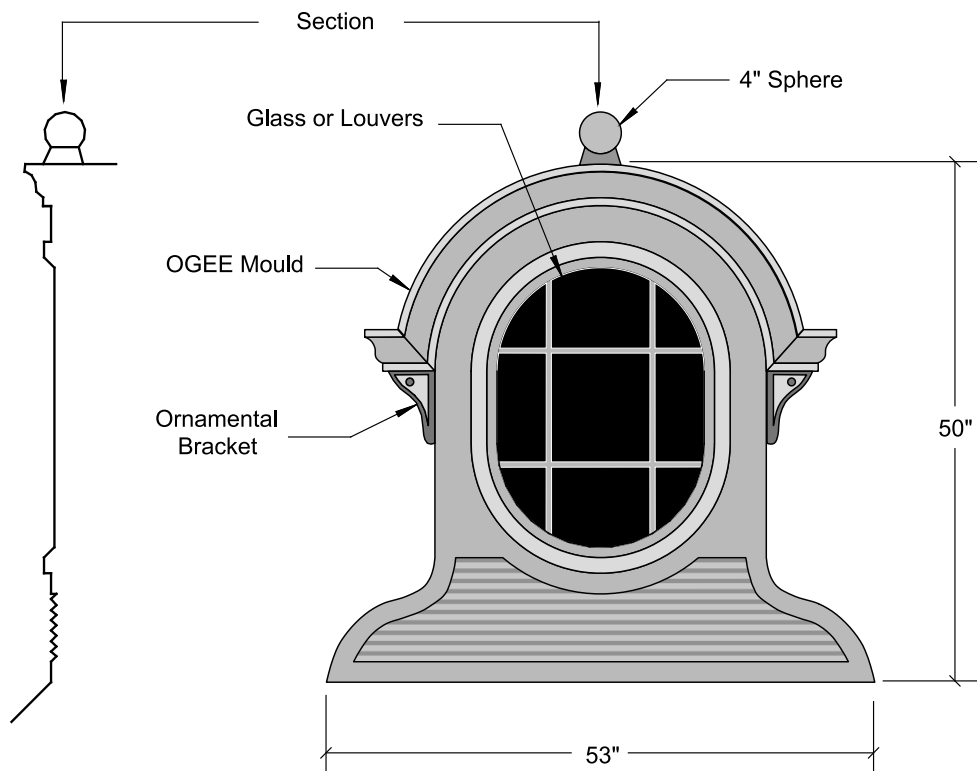
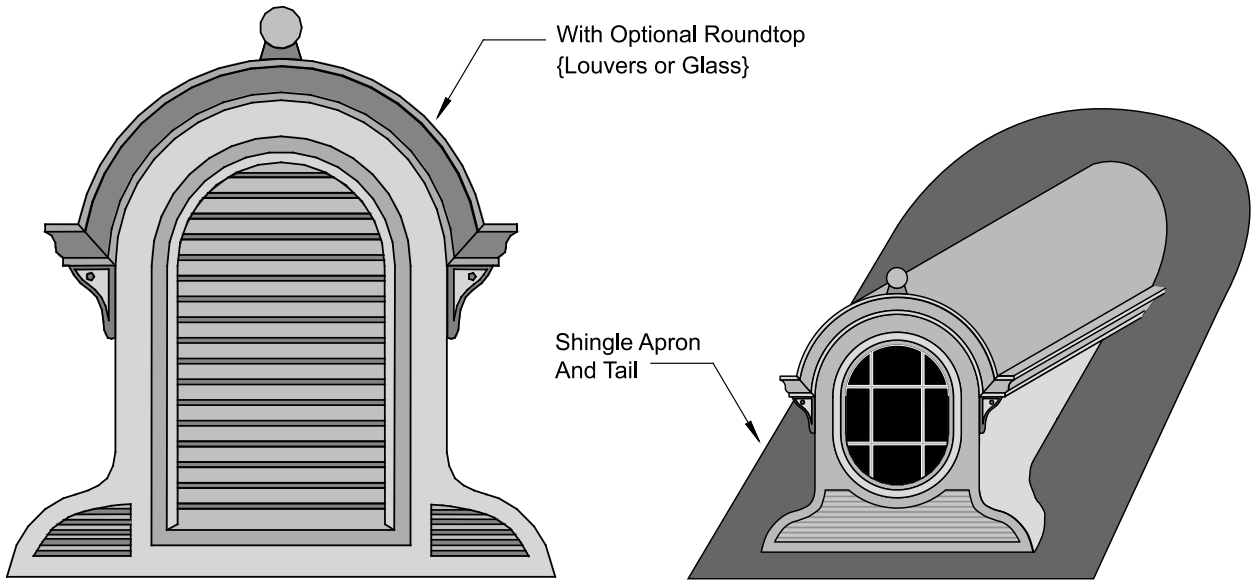
The Lorraine



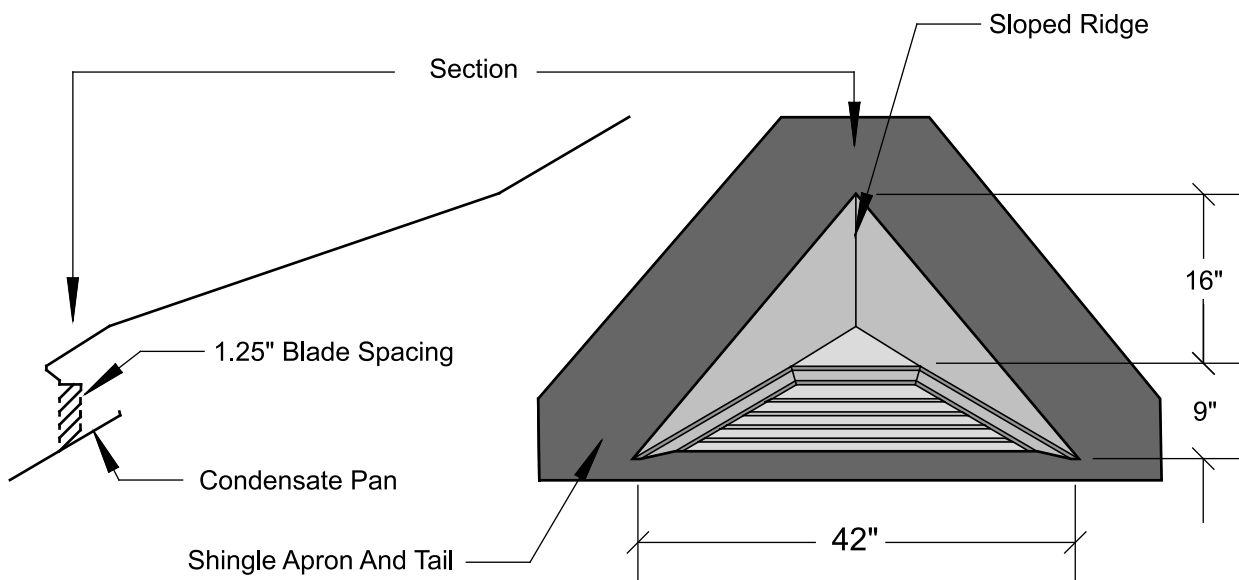
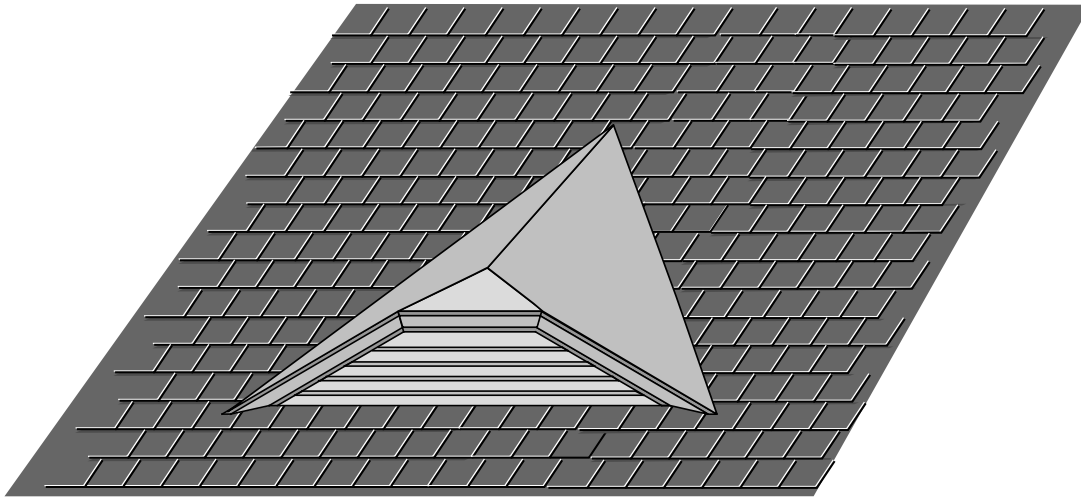
The Madison



The Marseille

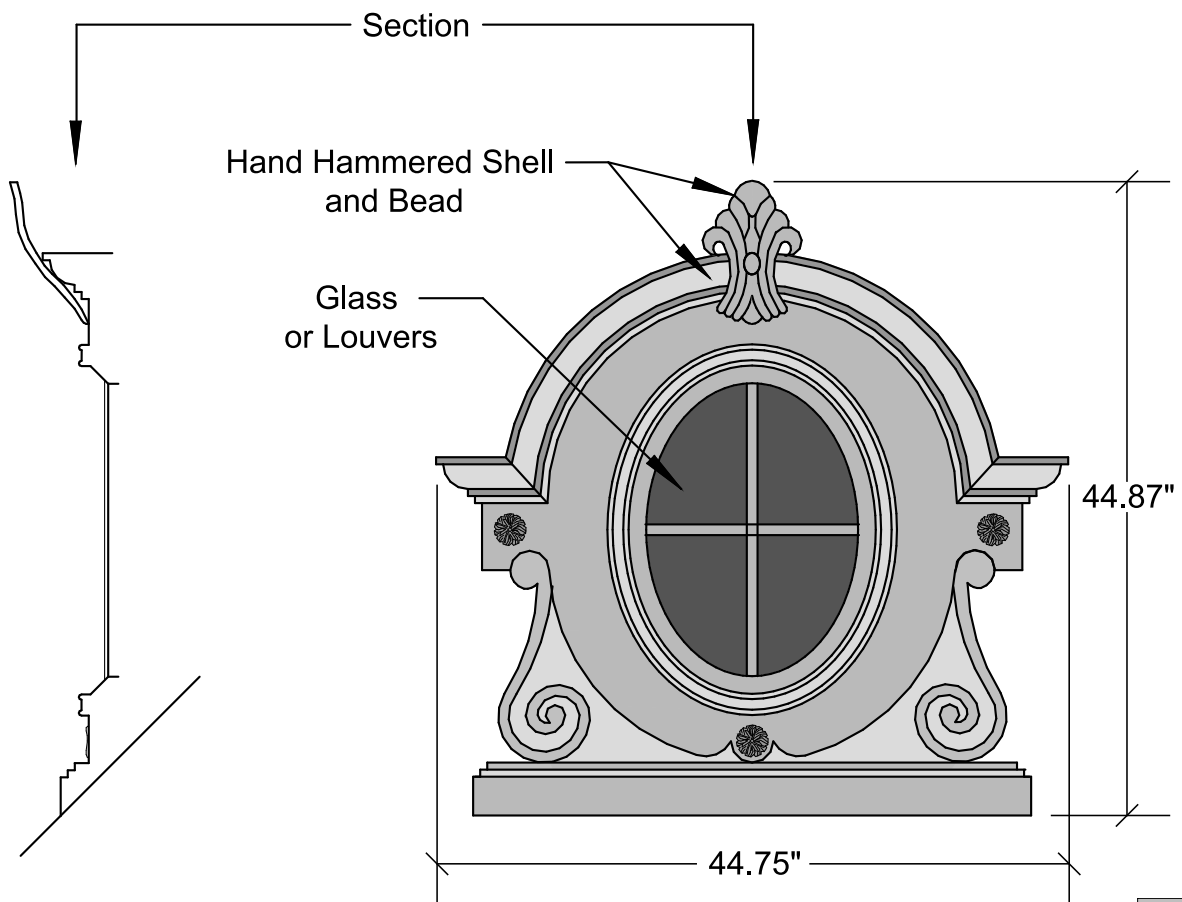
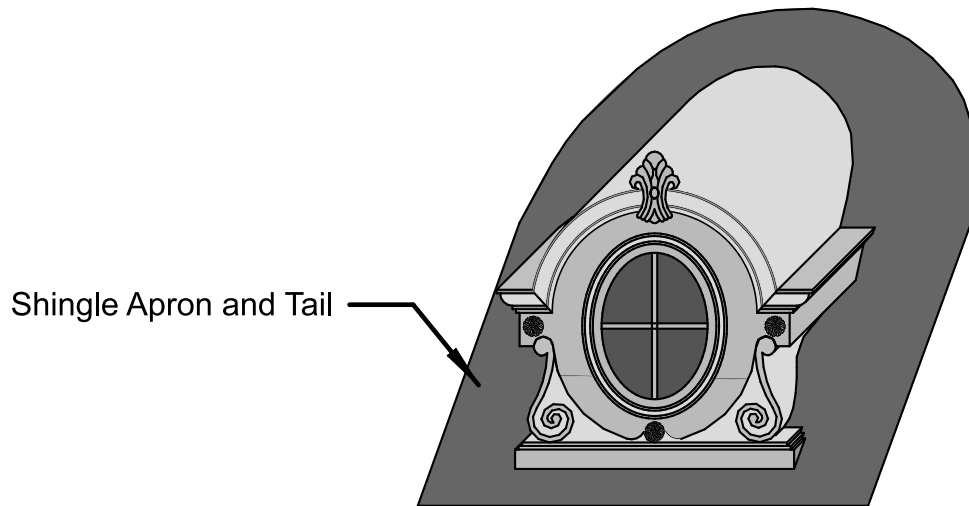


The Mediterranean

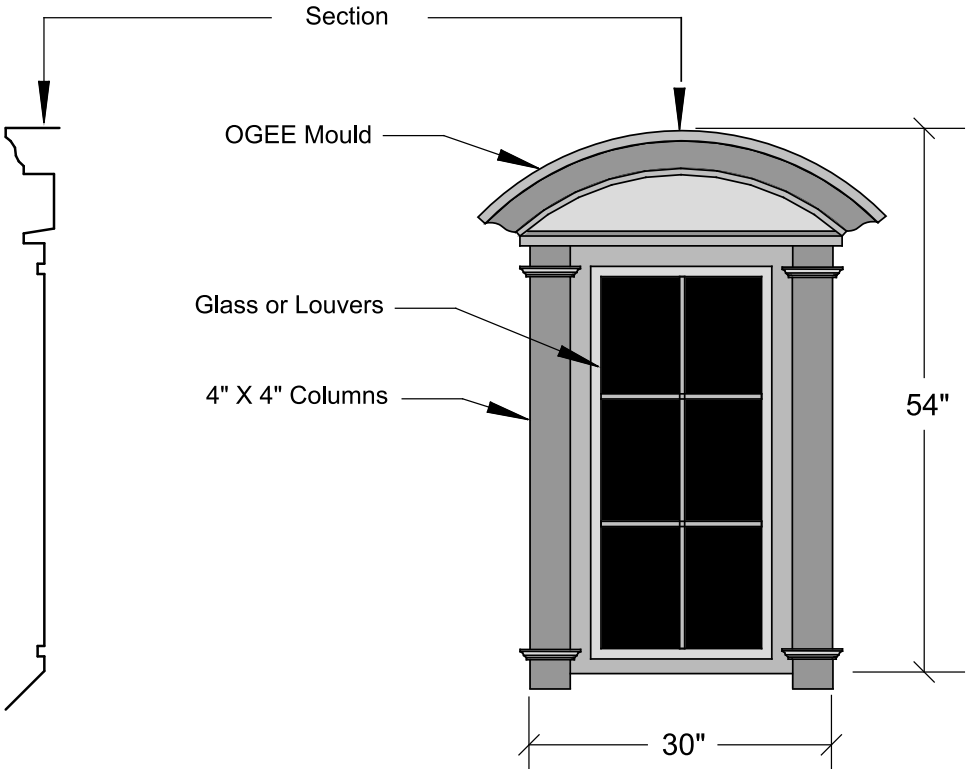
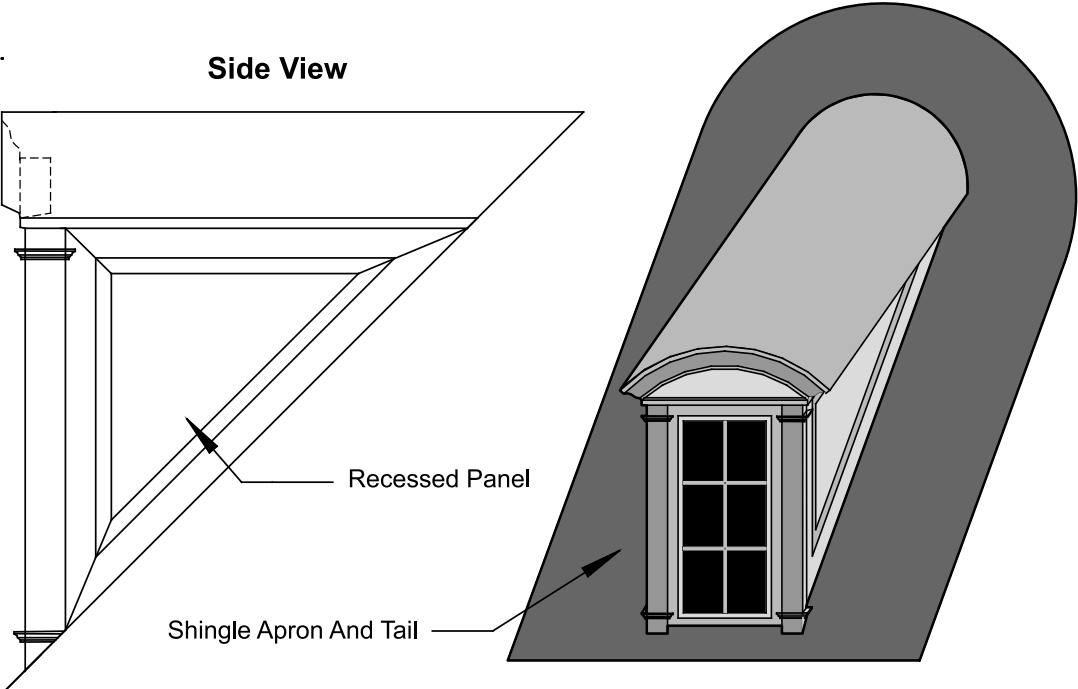


*This unit can be made to any dimension you desire

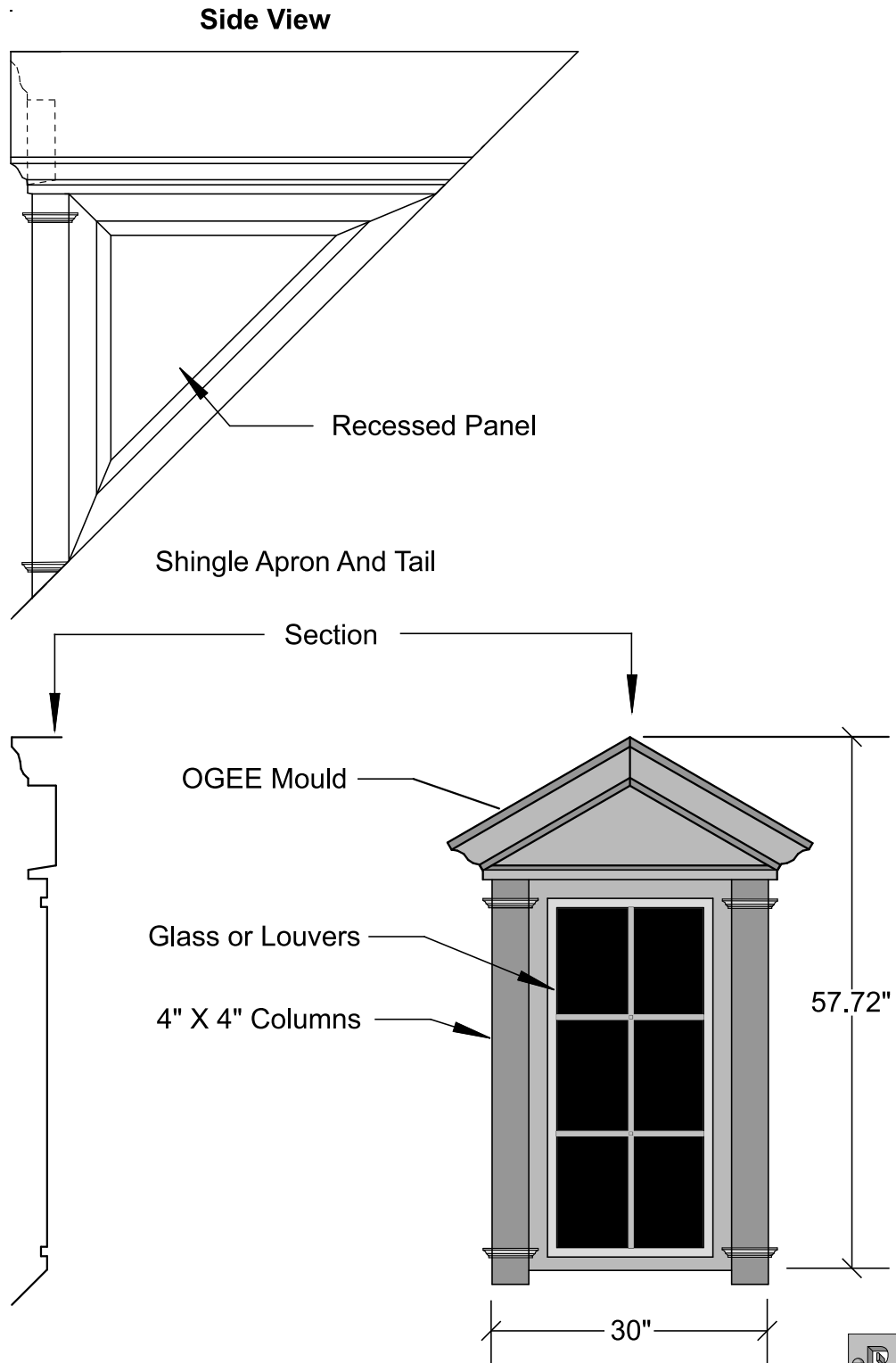
The Mont Blanc



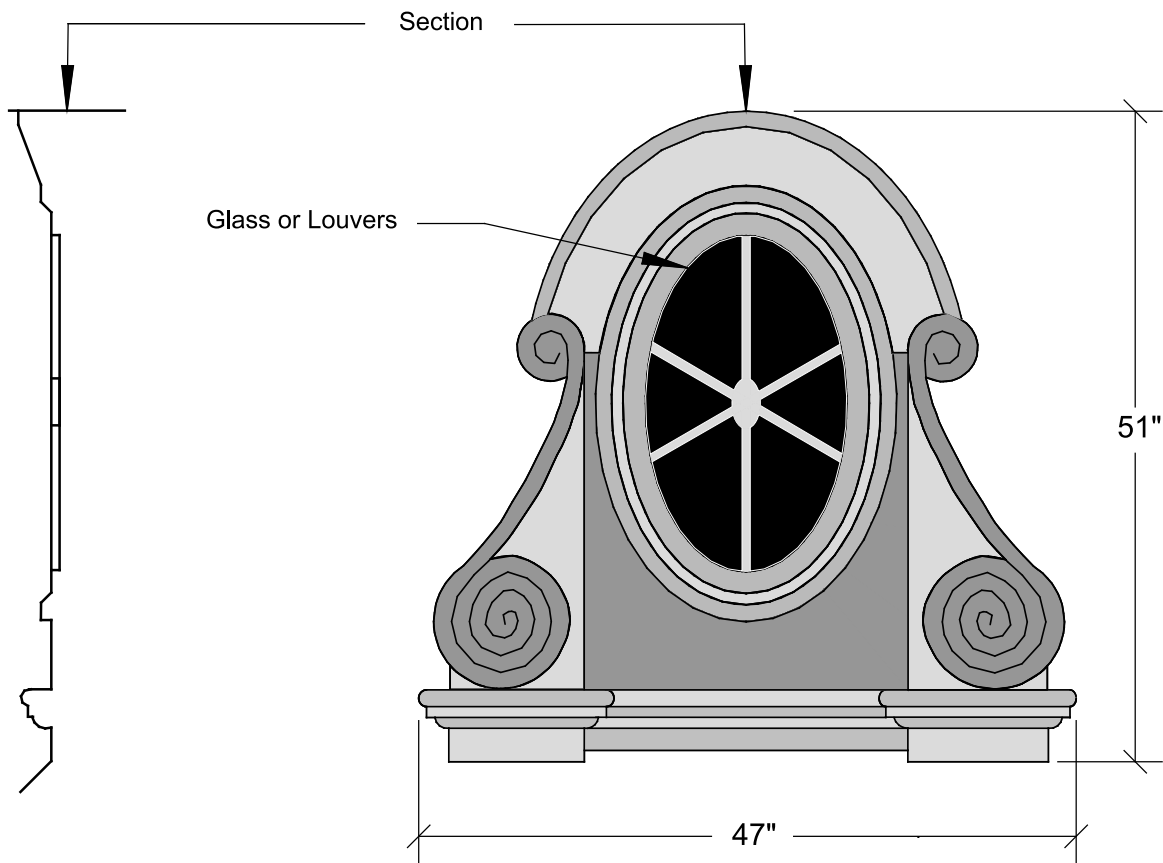
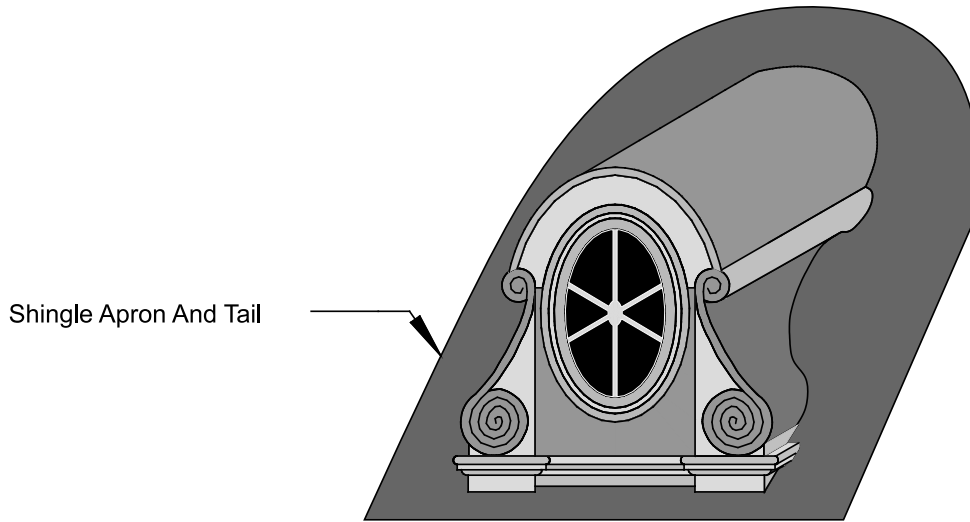
The Monticello



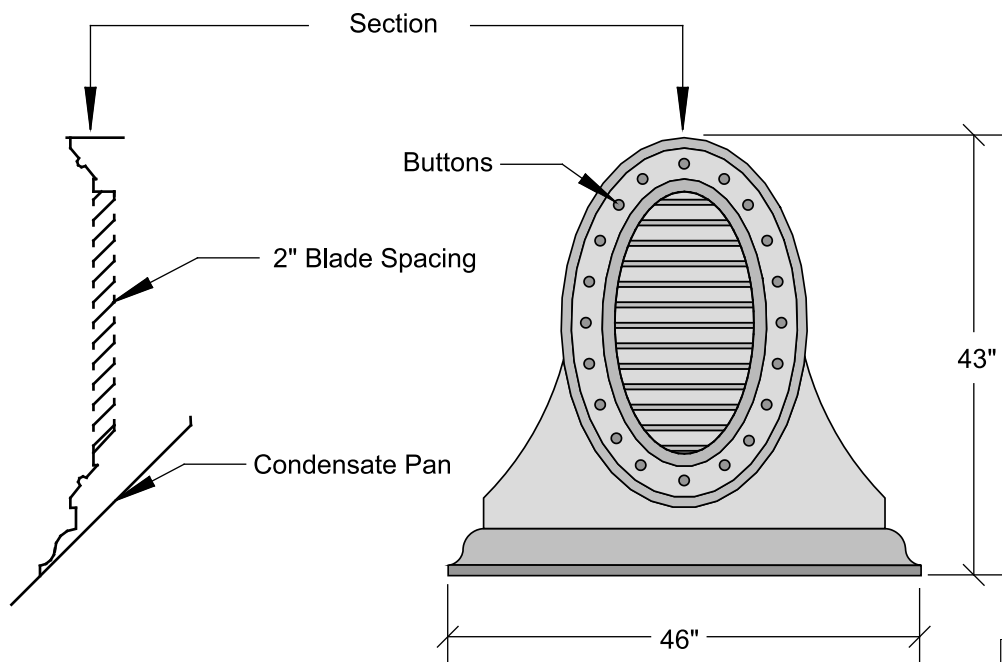
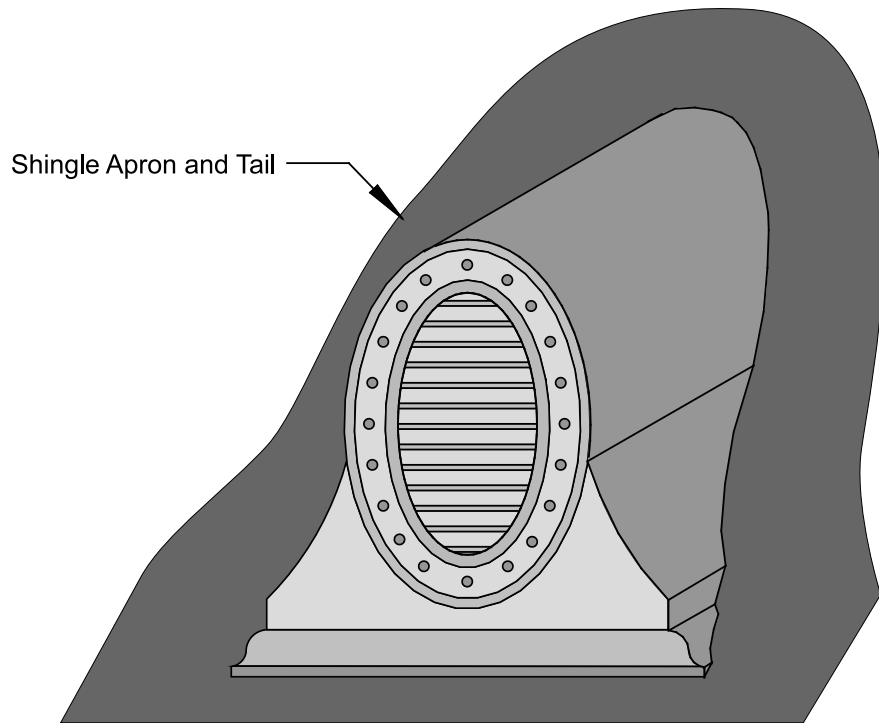
The Monticello Gable



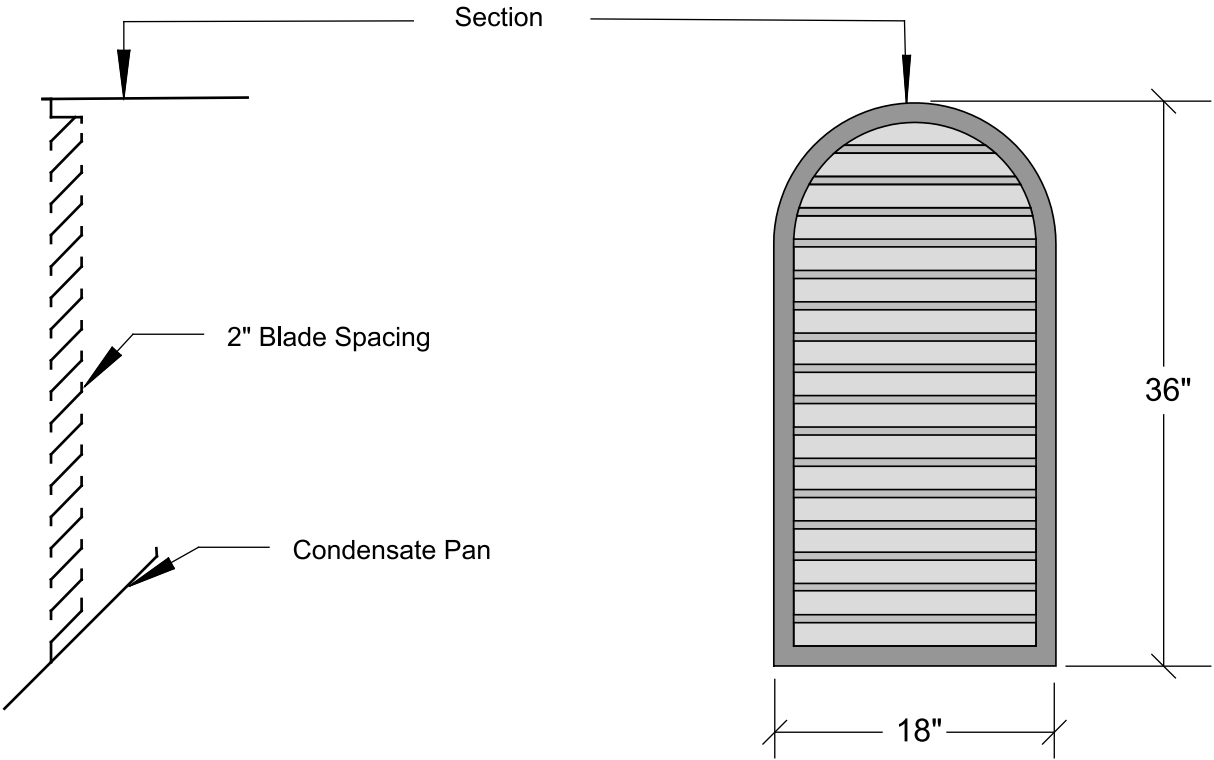
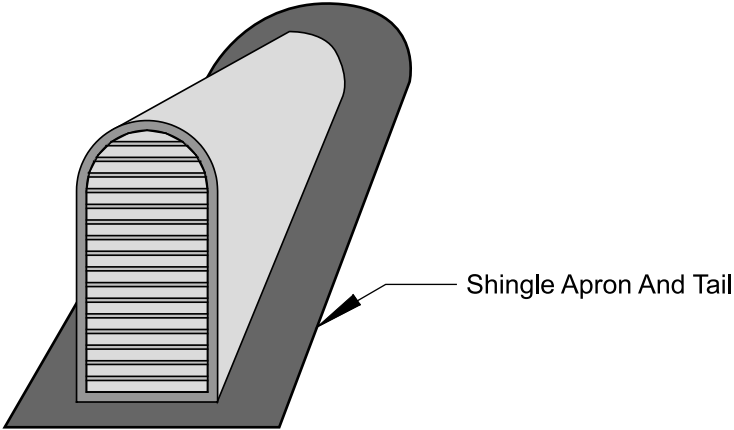
The Normandy



The Regency

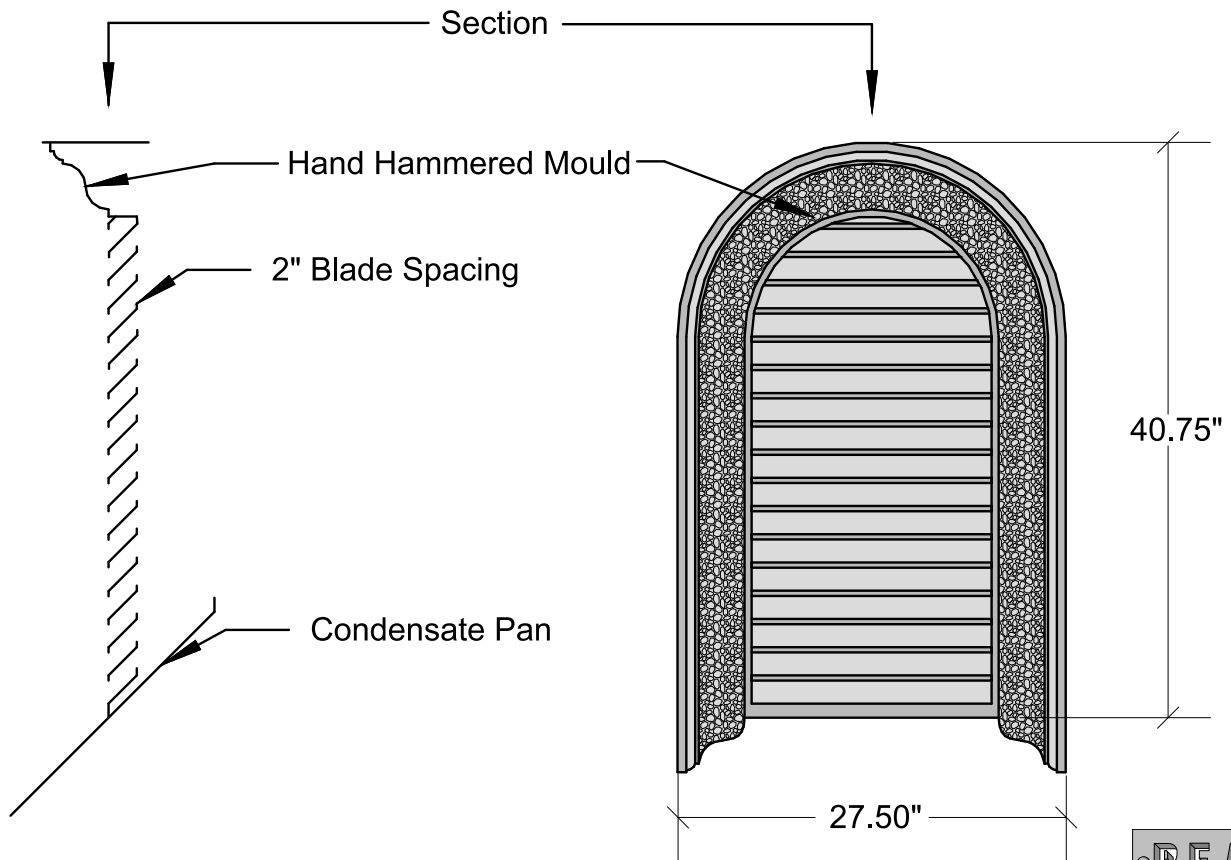
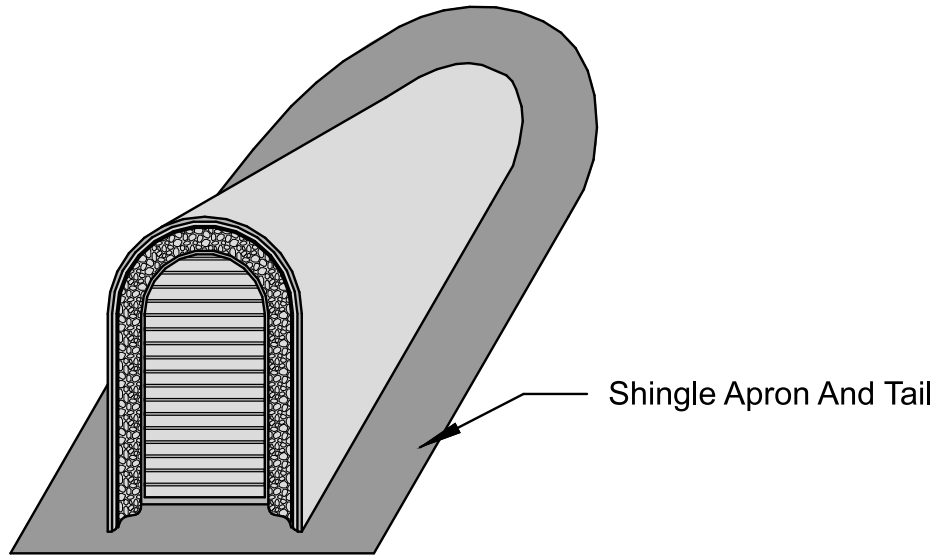


The Roundtop

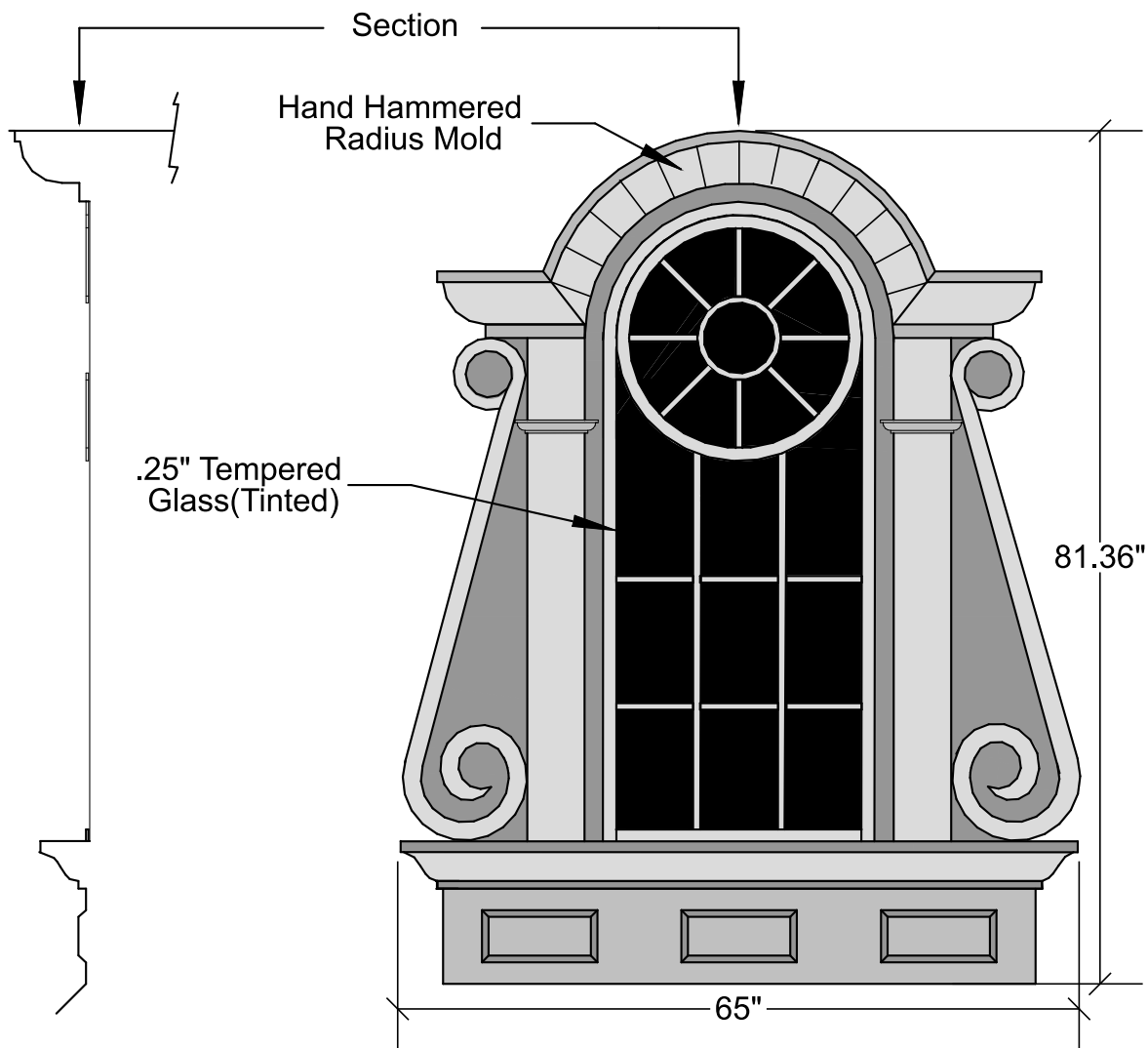
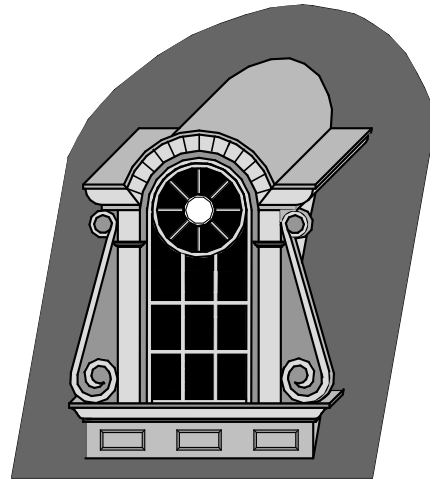


*This unit can be made to any dimension you desire

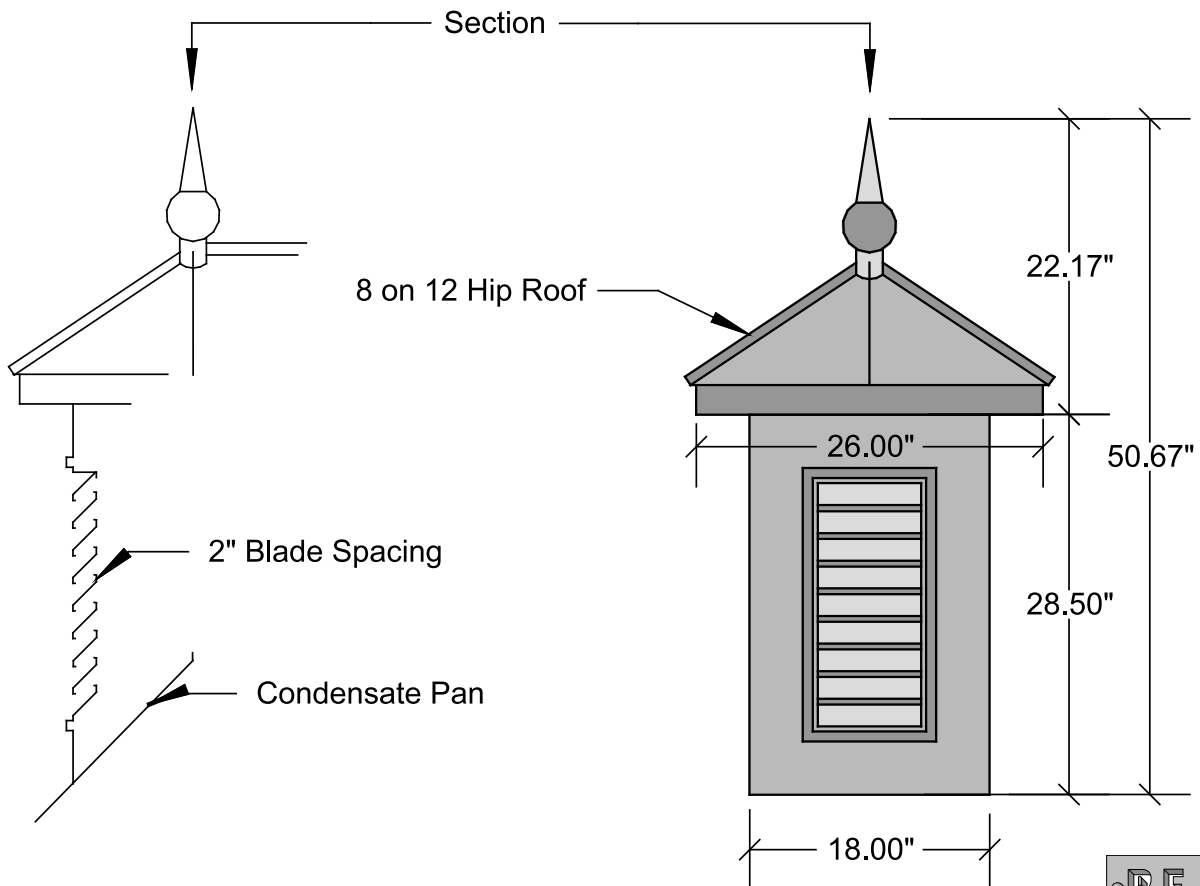
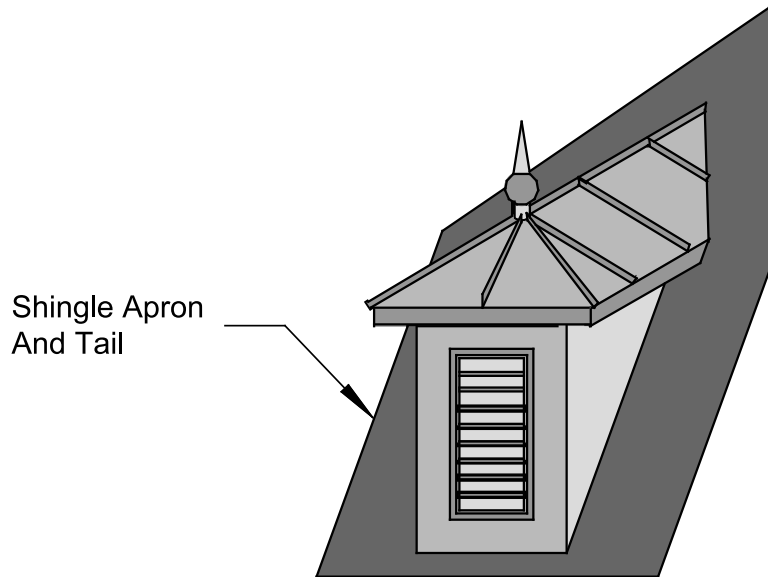
The Roundtop Moulded



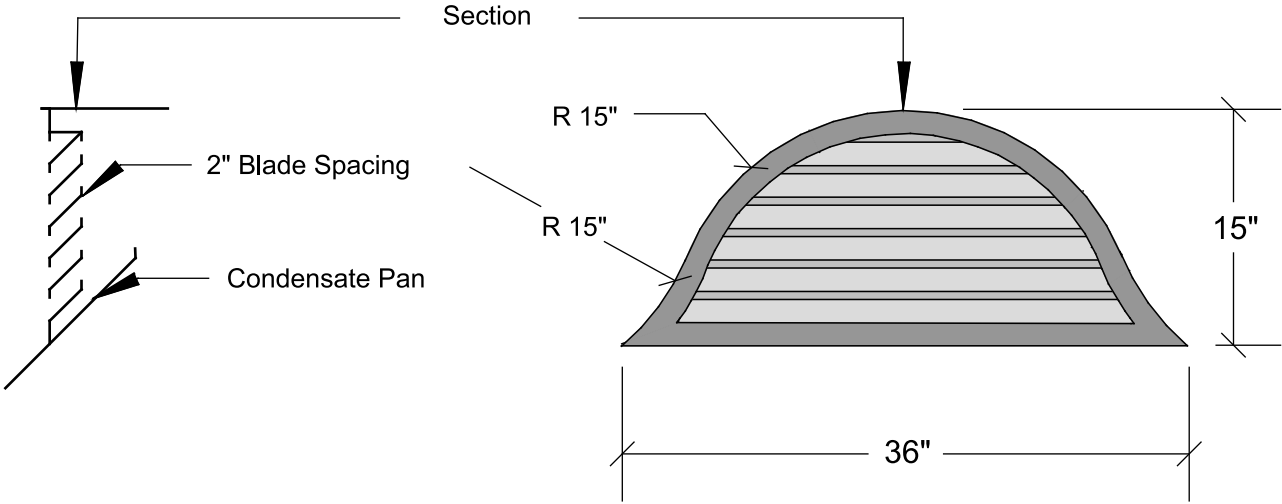
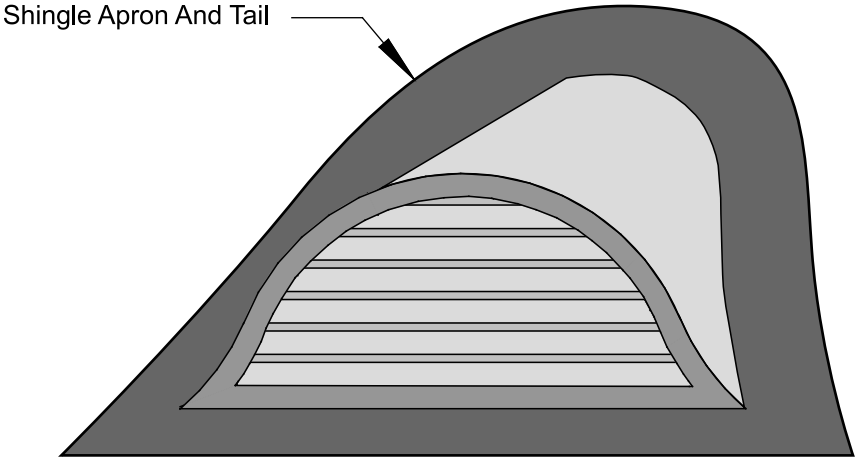
The Stewart



The Stiles

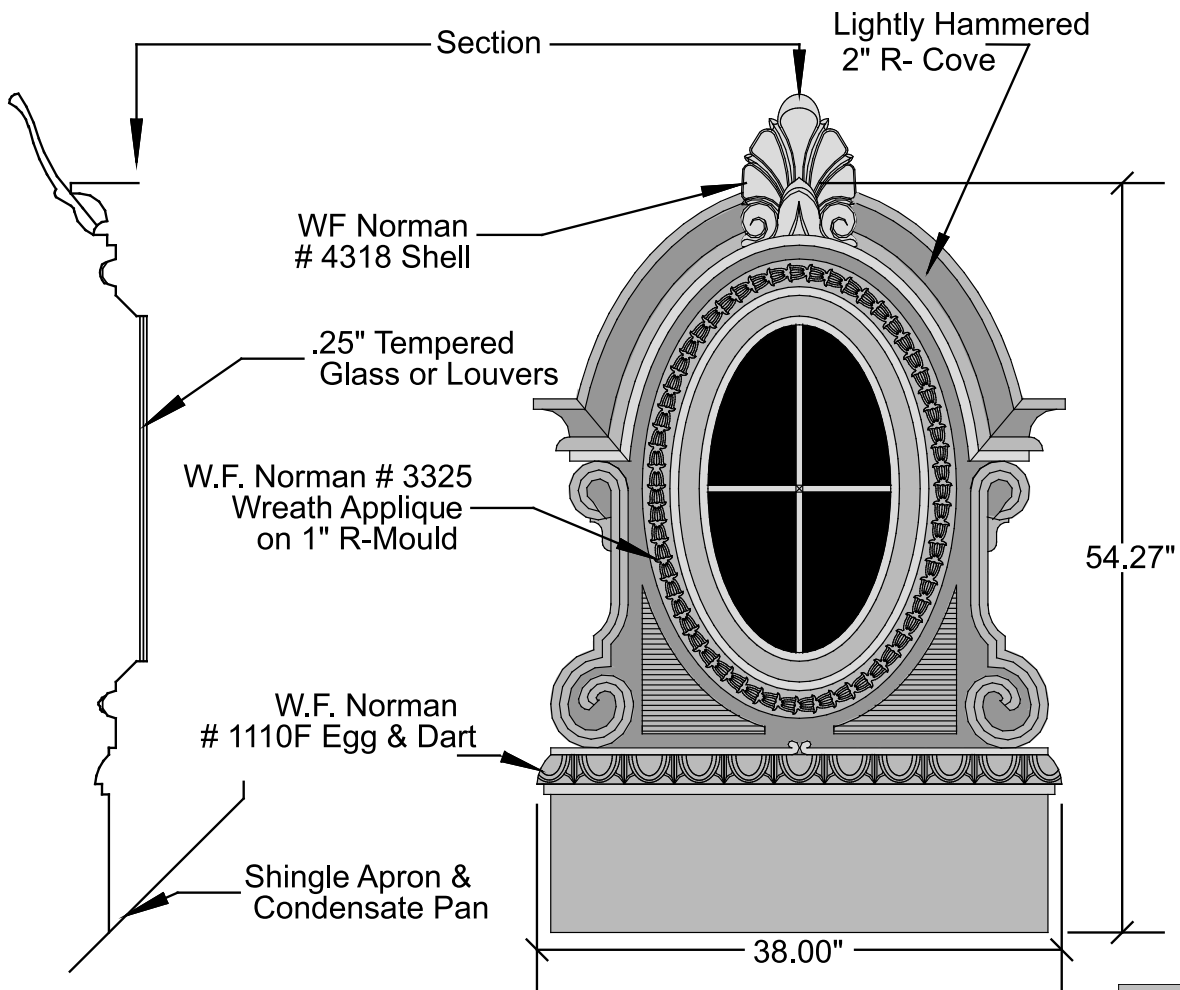
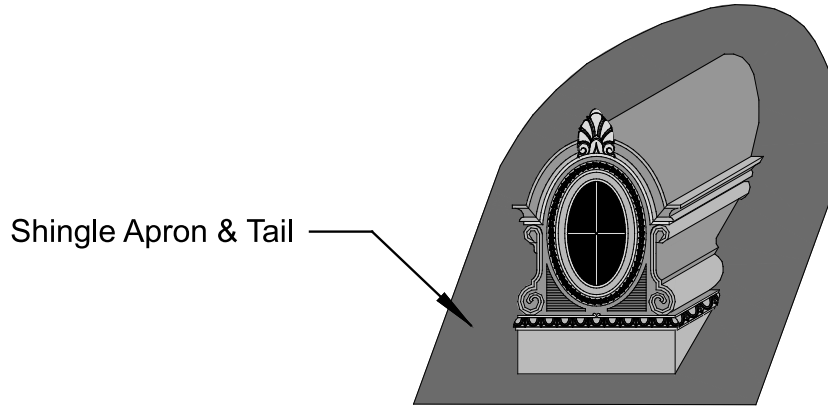


The Swooped

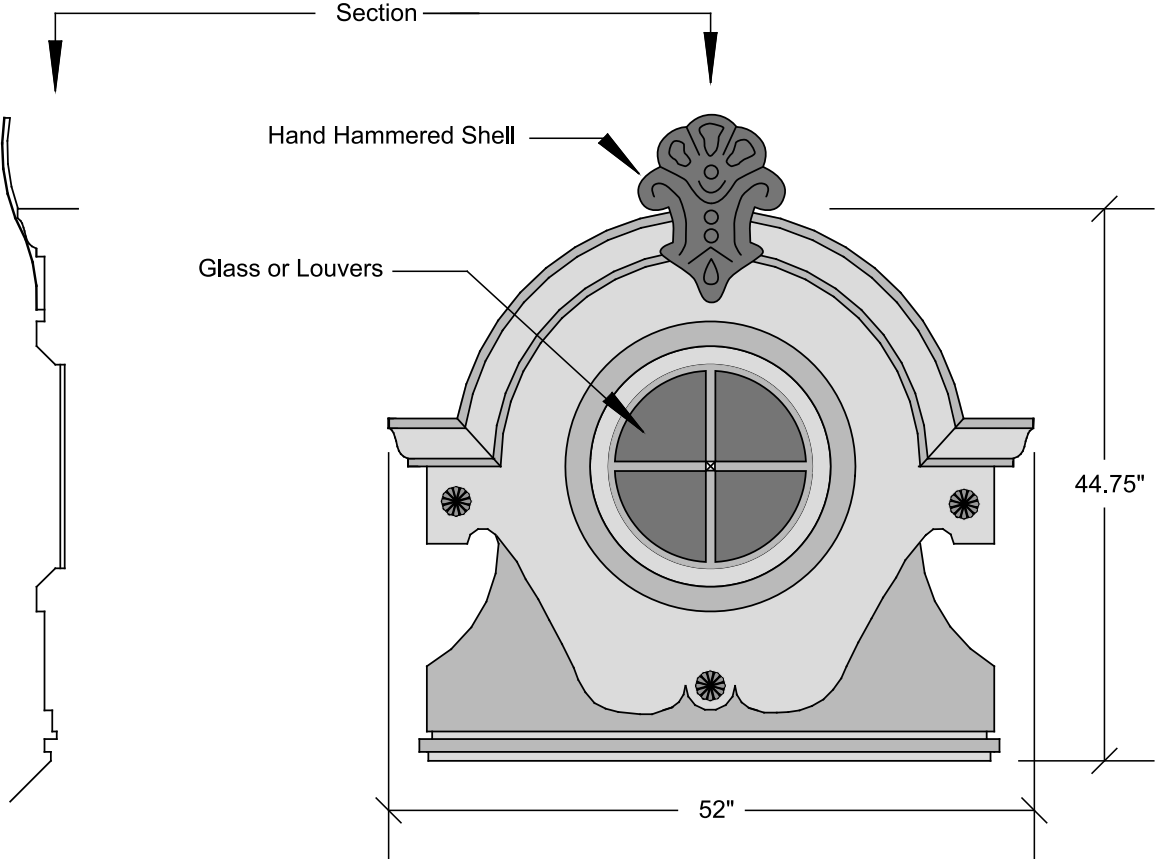
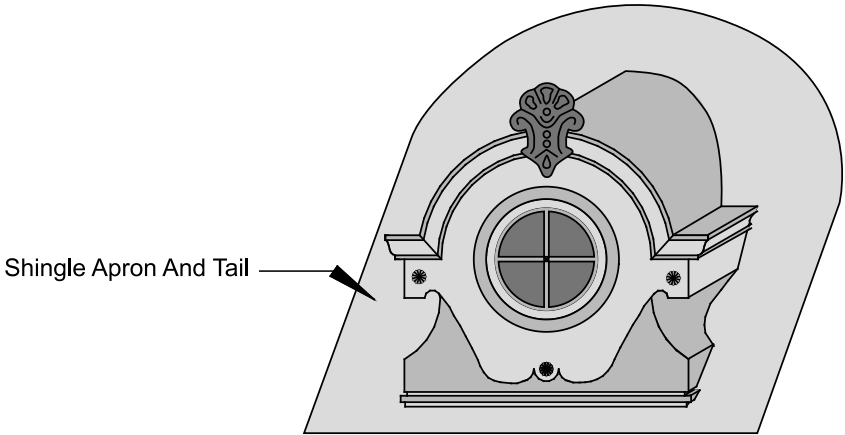


*This unit can be made to any dimension you desire

The Valencia



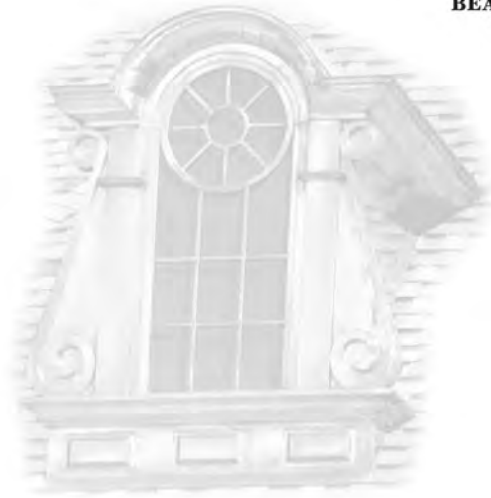
The Wilshire





BEACH SHEET METAL COMPANY, INC.
"Pride in Workmanship Since 1952"

CUPOLAS



#20 The Chateau





BEACH SHEET METAL COMPANY, INC.

"Pride in Workmanship Since 1952"

Cupola Drawings

Click on name to go to the drawing.

Canterbury

Chateau

Chisholm

Colonial

Ellerman

Glenwick

Hampton

Kensington

Lobello

Nottingham

Rancher

Rushmore

Vanderbilt

Windowmere

Windsor

Click here to go to the Cupola Photo page.

Cupolas

Beach Sheet Metal offers a beautiful line of cupolas.

These units are self-contained units that do not require any structural framing.

Most of our cupolas can be adapted to your special needs should you desire more or less height or width.

Weather vanes may be added to some models for a distinctive appeal.

Beach Sheet Metal cupolas are fabricated to accommodate your specific roof condition, whether they are being positioned on a ridge, intersecting ridges, a turret, etc.

As always, special design requests are welcomed.

Please note that Cupola #21 is paint grip steel and #15 is pre-finished steel.



21 The Vanderbilt



78 The Canterbury



19 The Ellerman



20 The Chateau



83 The Rancher



2 The Kensington



82 The Hampton



15 The Chisholm



77 The Nottingham



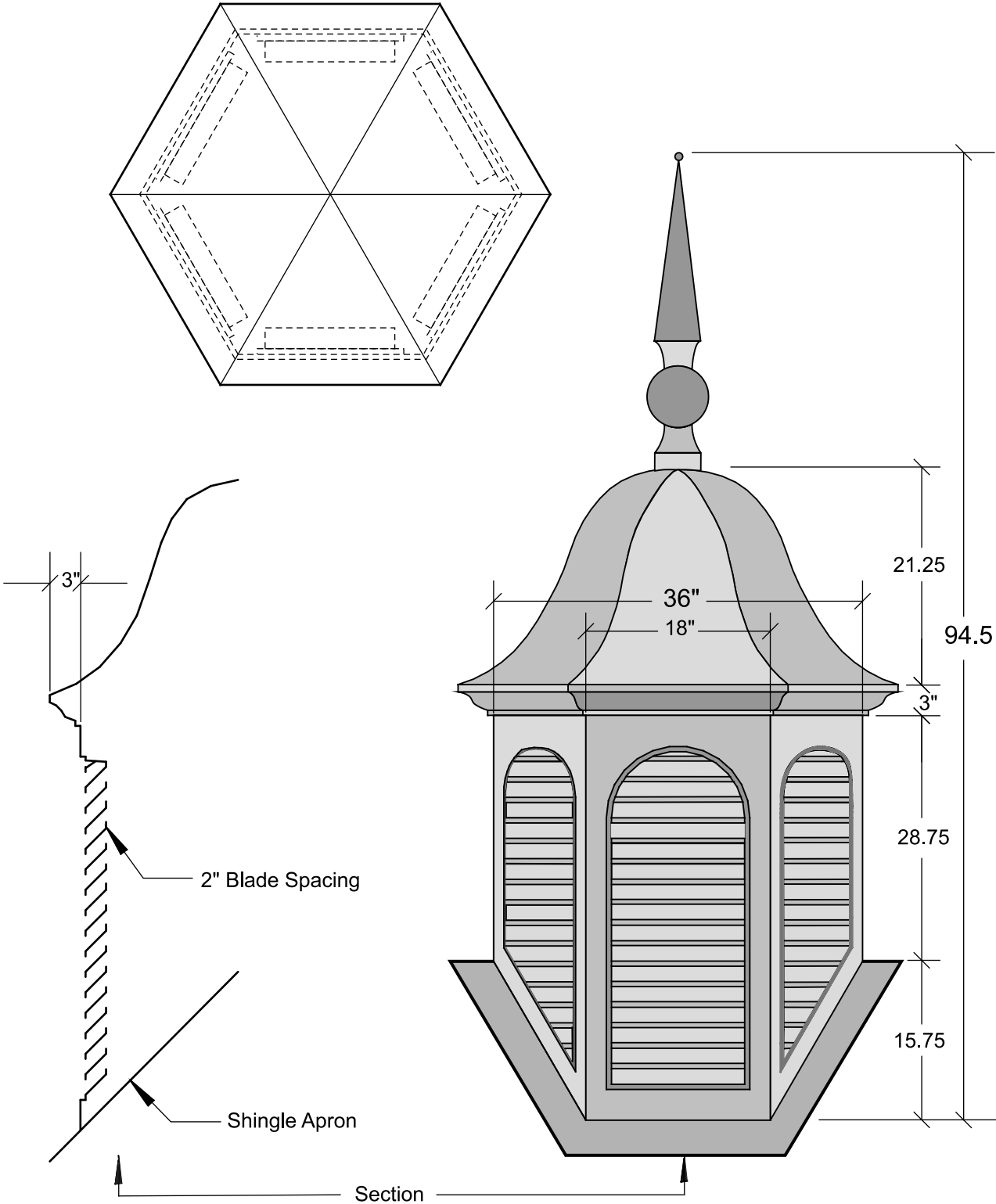
22 The Glenwick



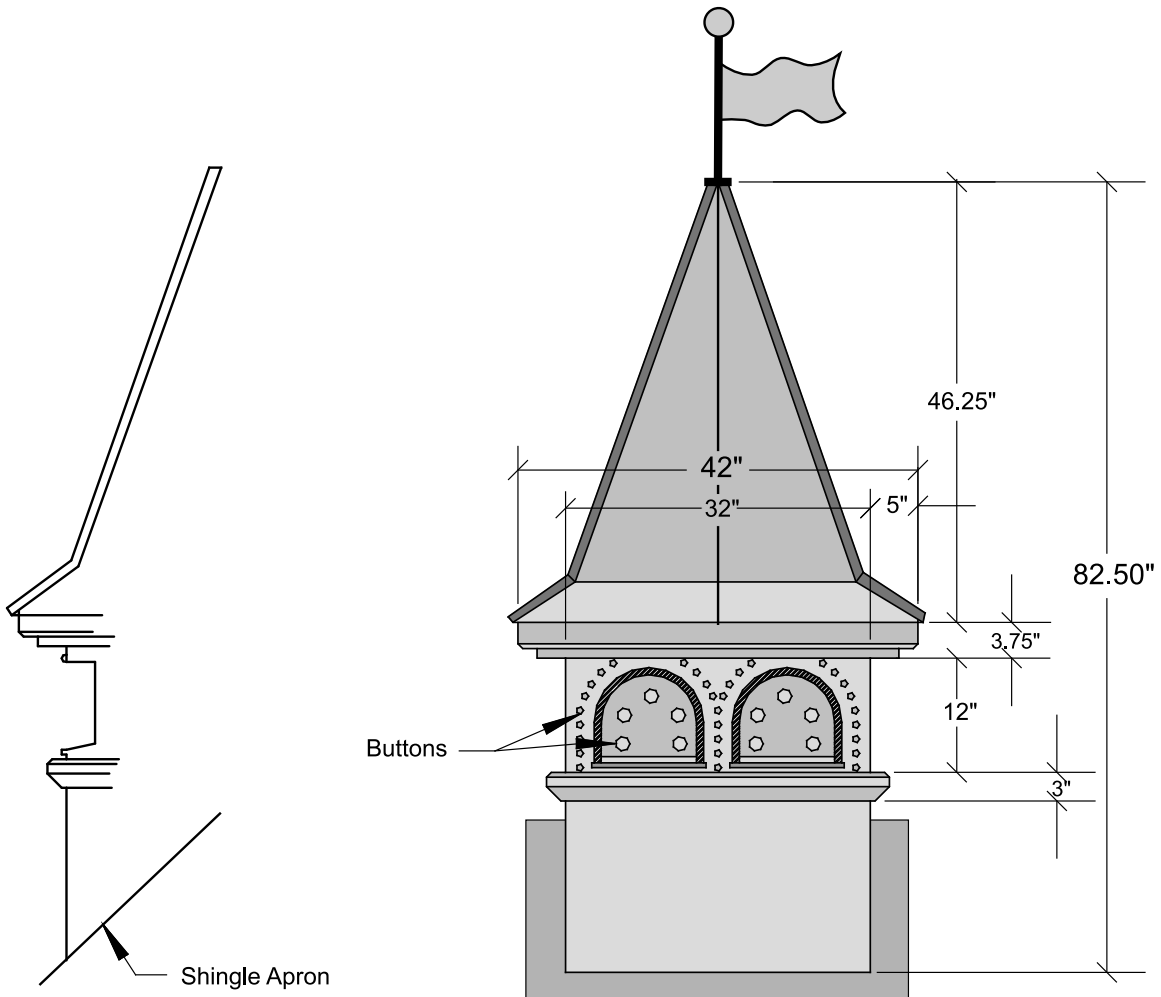
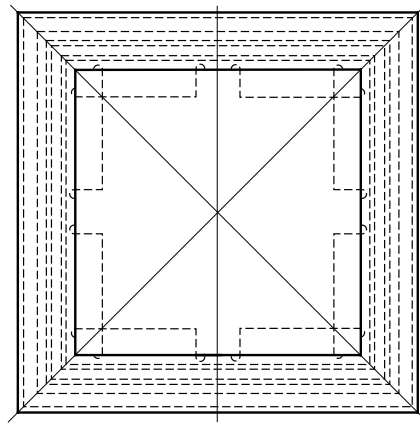
76 The Windowmere

353 Long Creek Road
 Sunnyvale, Texas 75182
 972.226.4440 Phone
 972.226.4441 Fax
 beach@beachsheetmetal.com
 www.beachsheetmetal.com

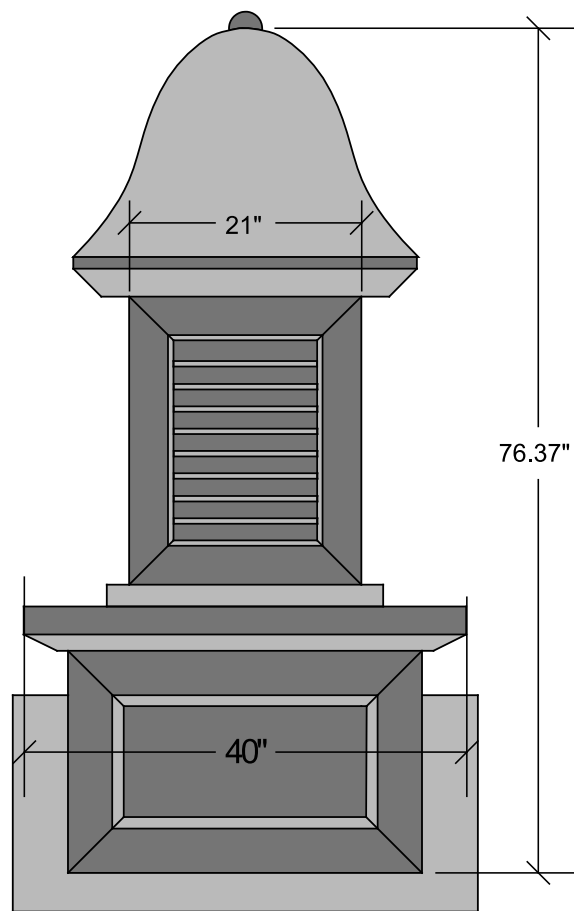
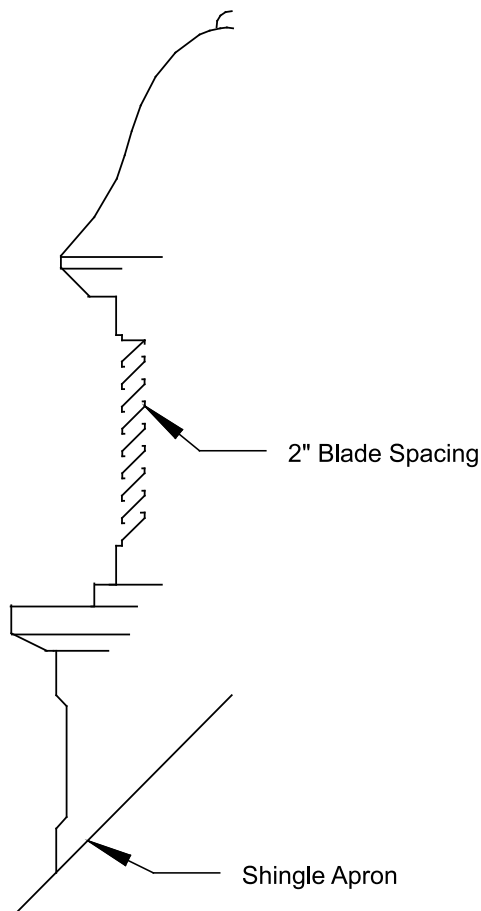
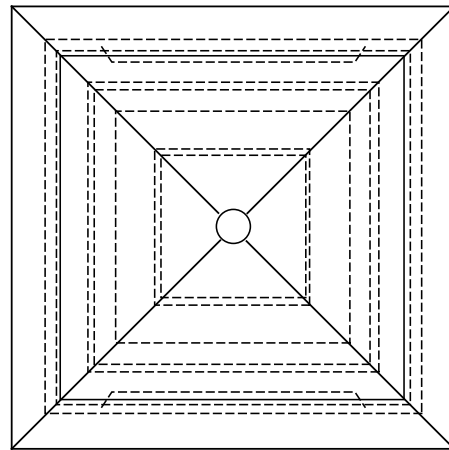
The Canterbury



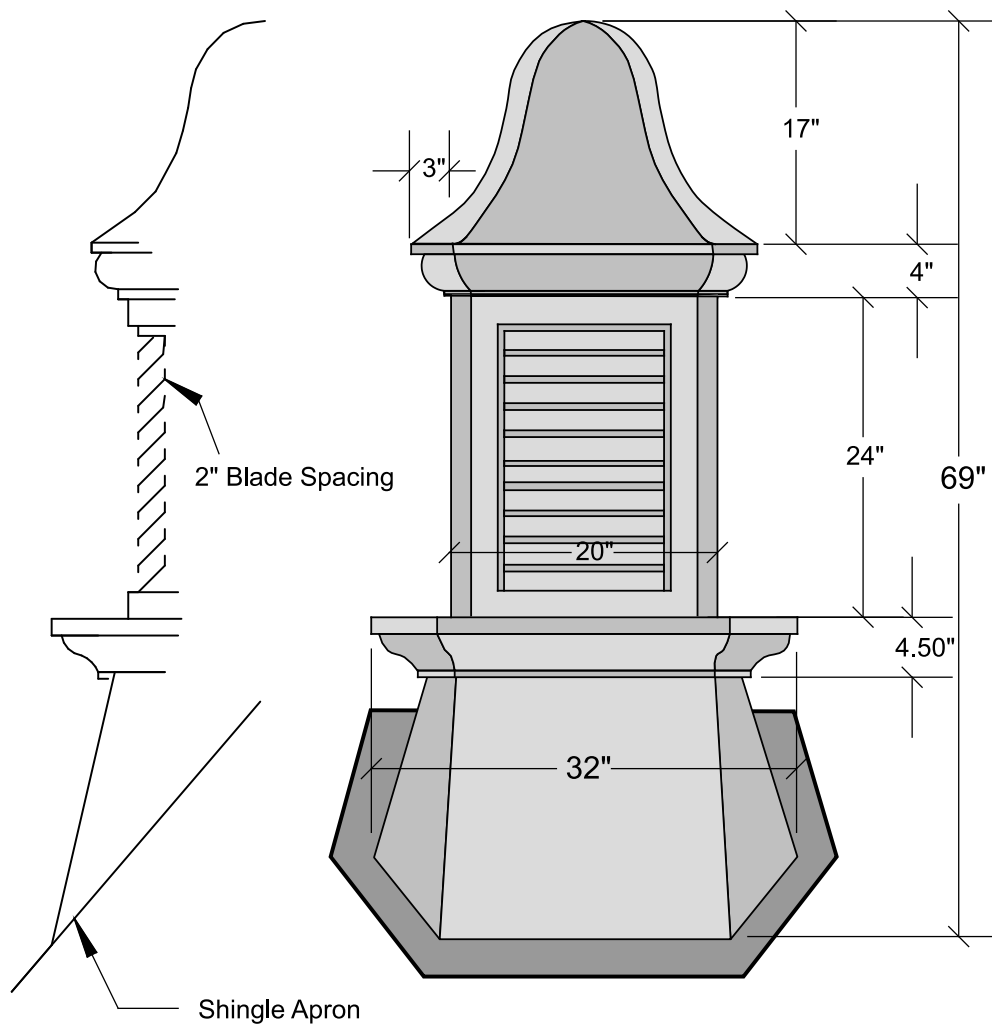
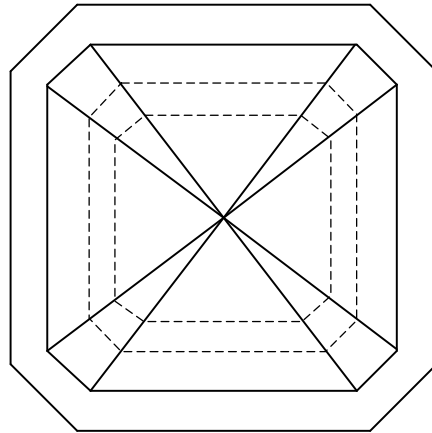
The Chateau



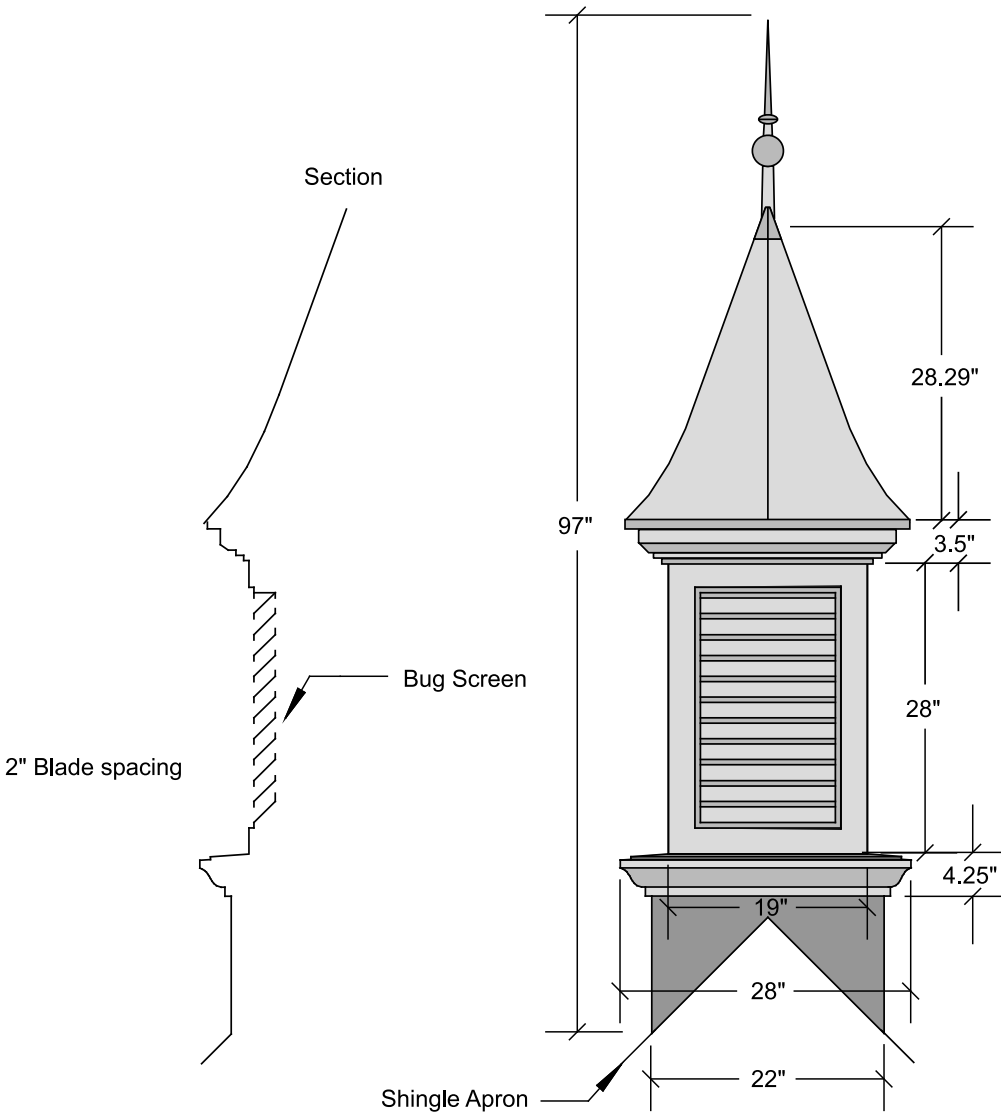
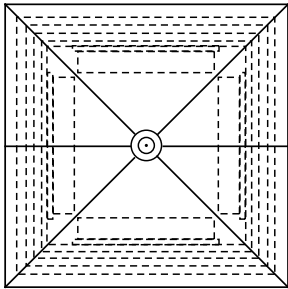
The Chisholm



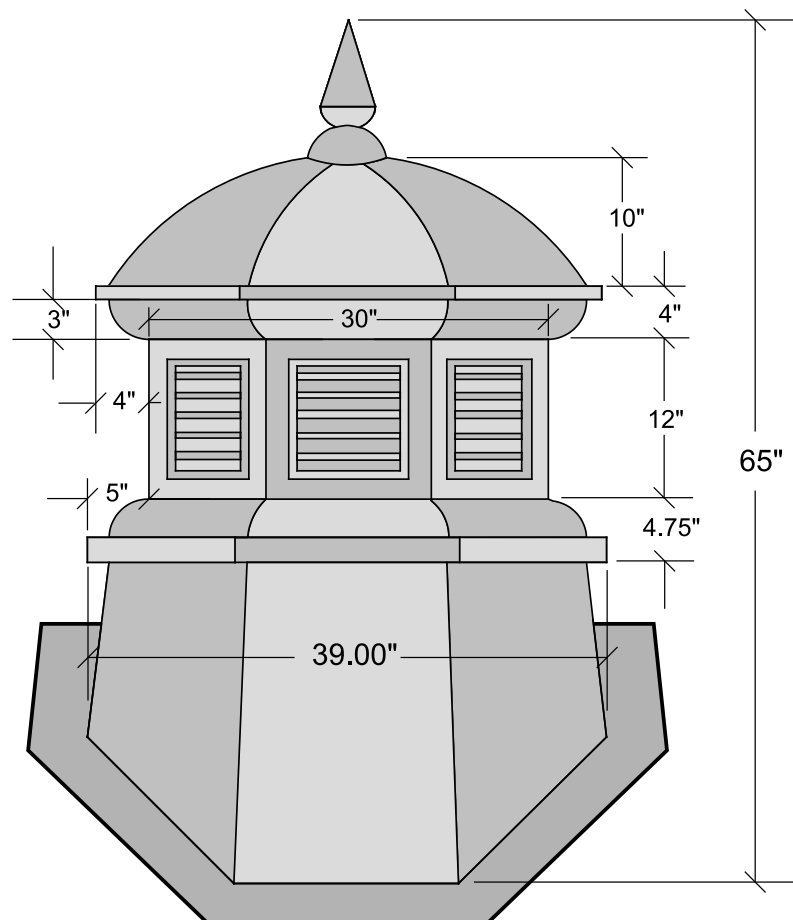
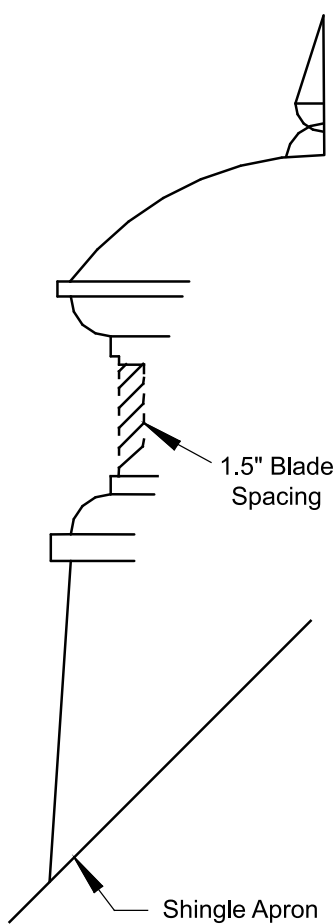
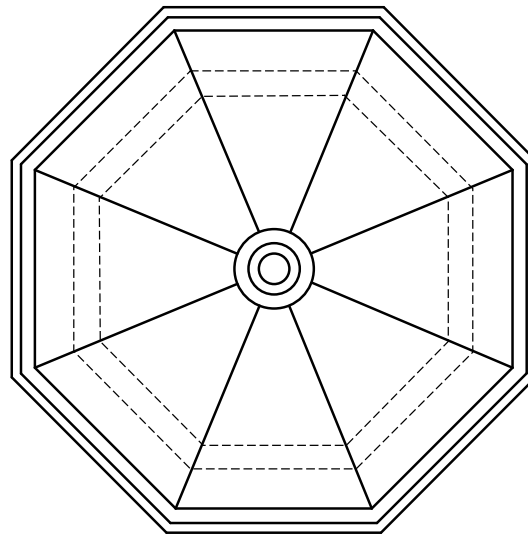
The Colonial



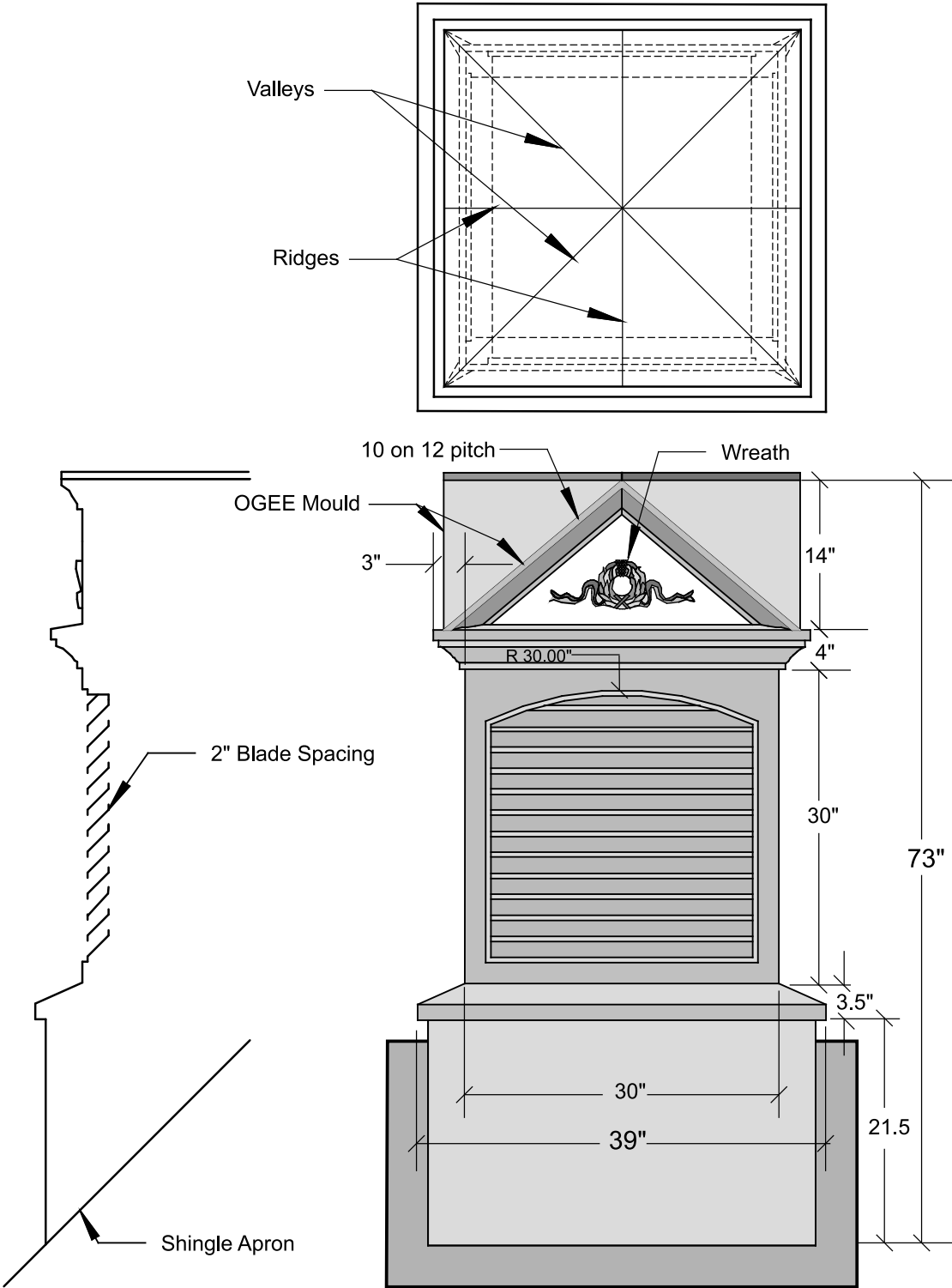
The Ellerman



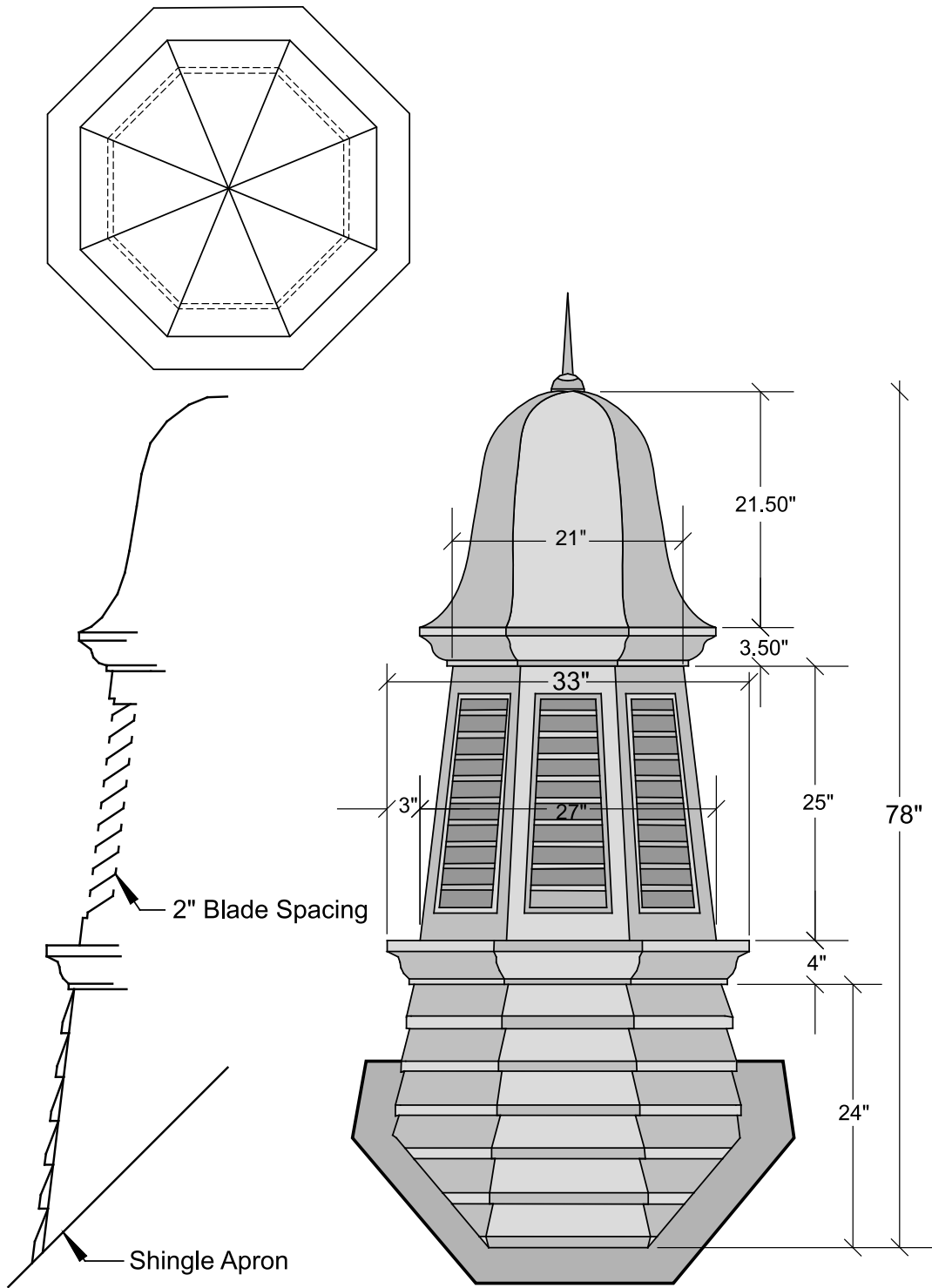
The Glenwick



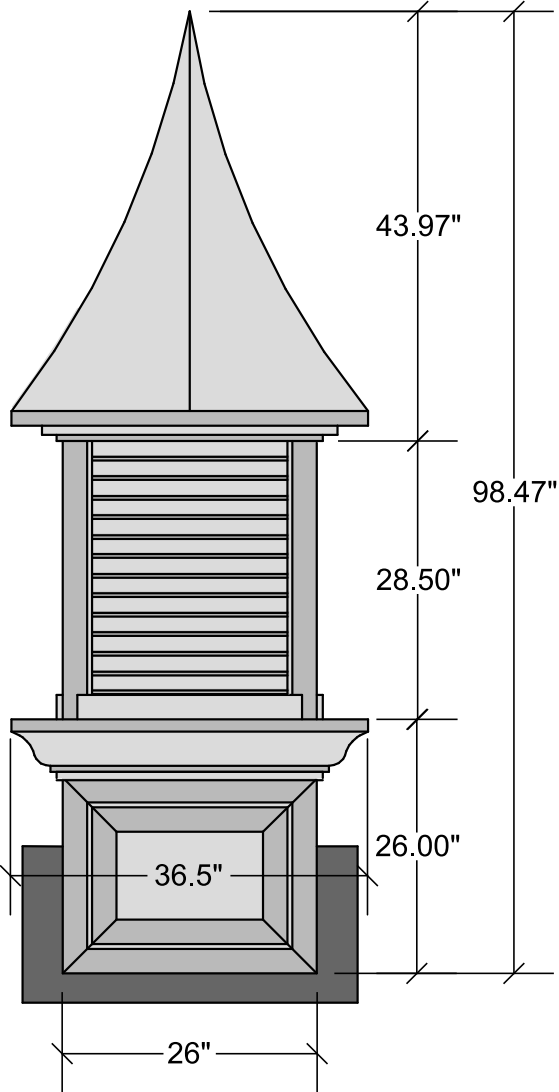
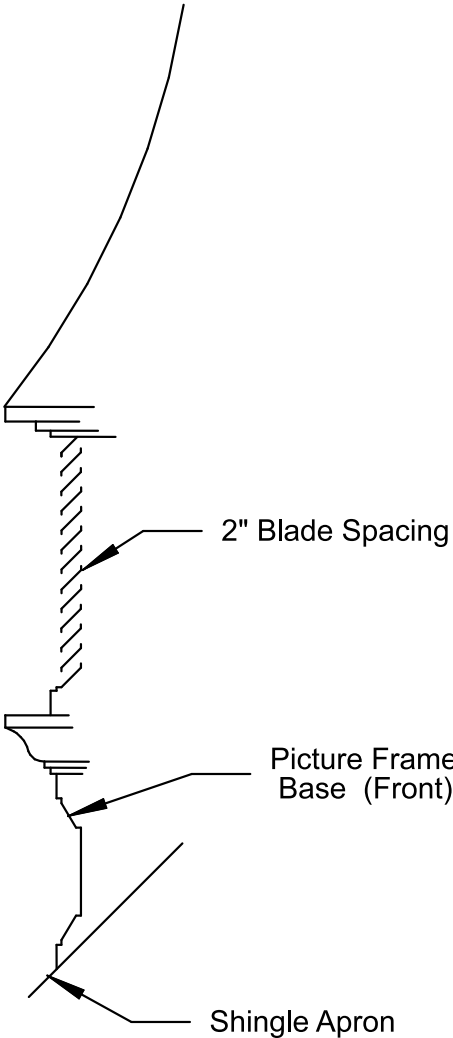
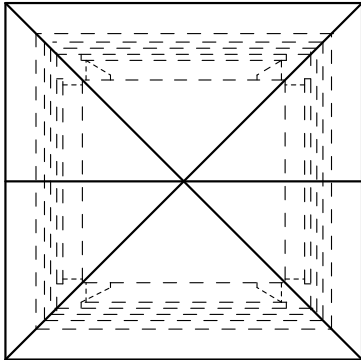
The Hampton



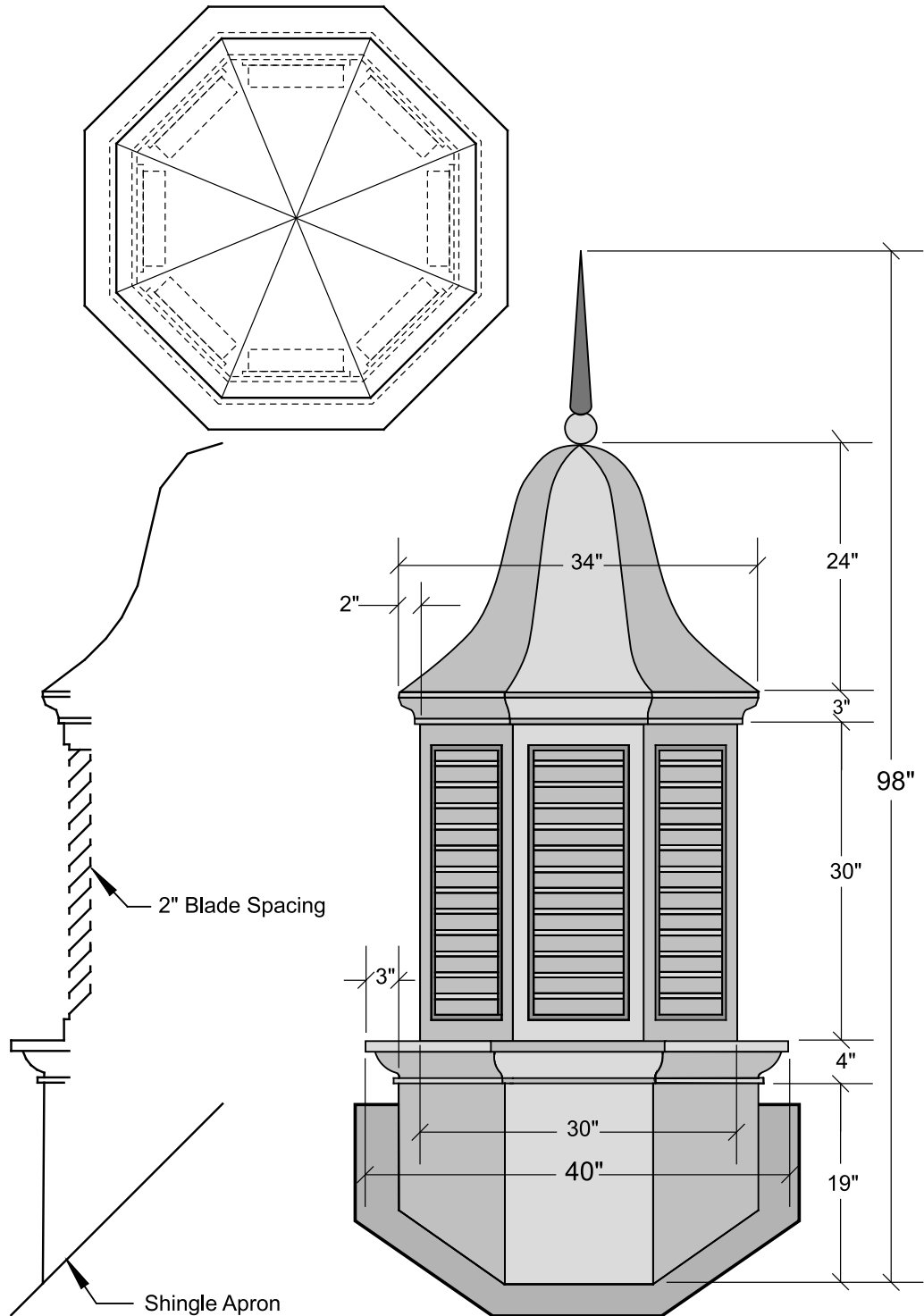
The Kensington



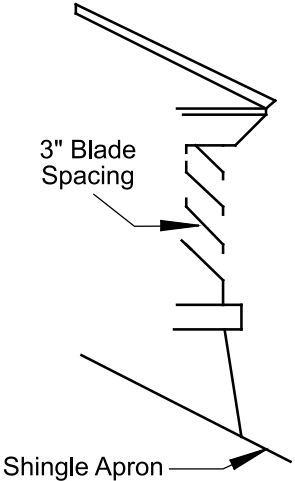
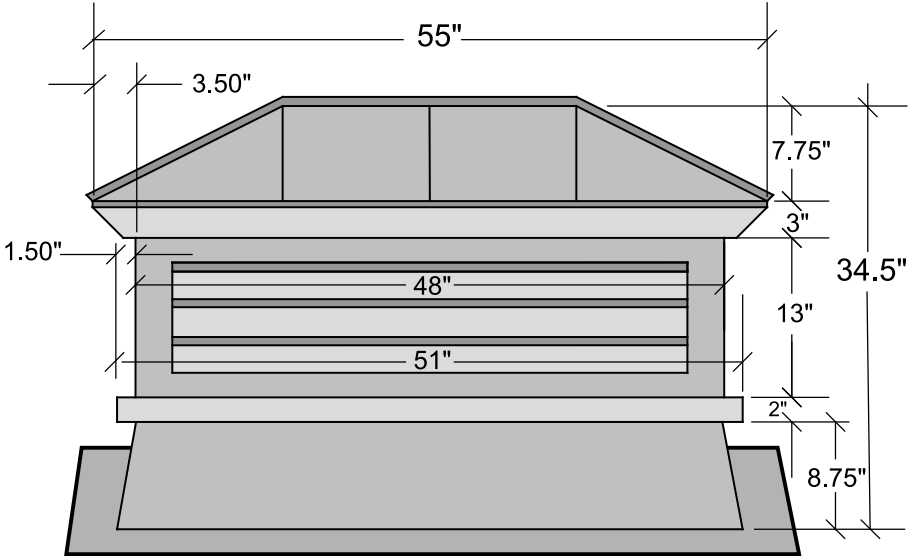
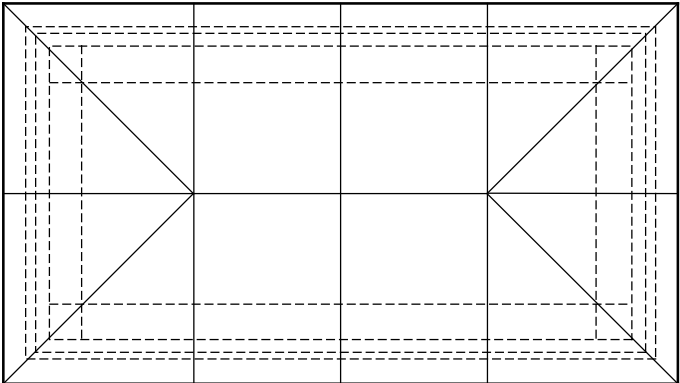
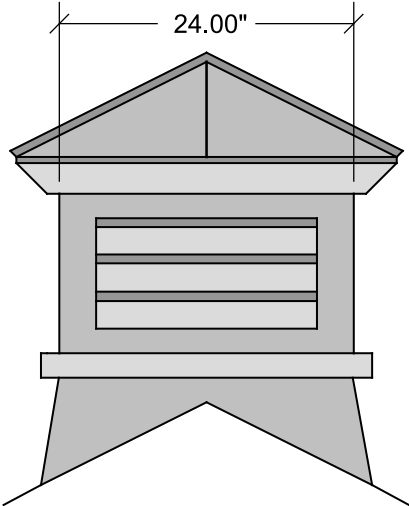
The Lobello



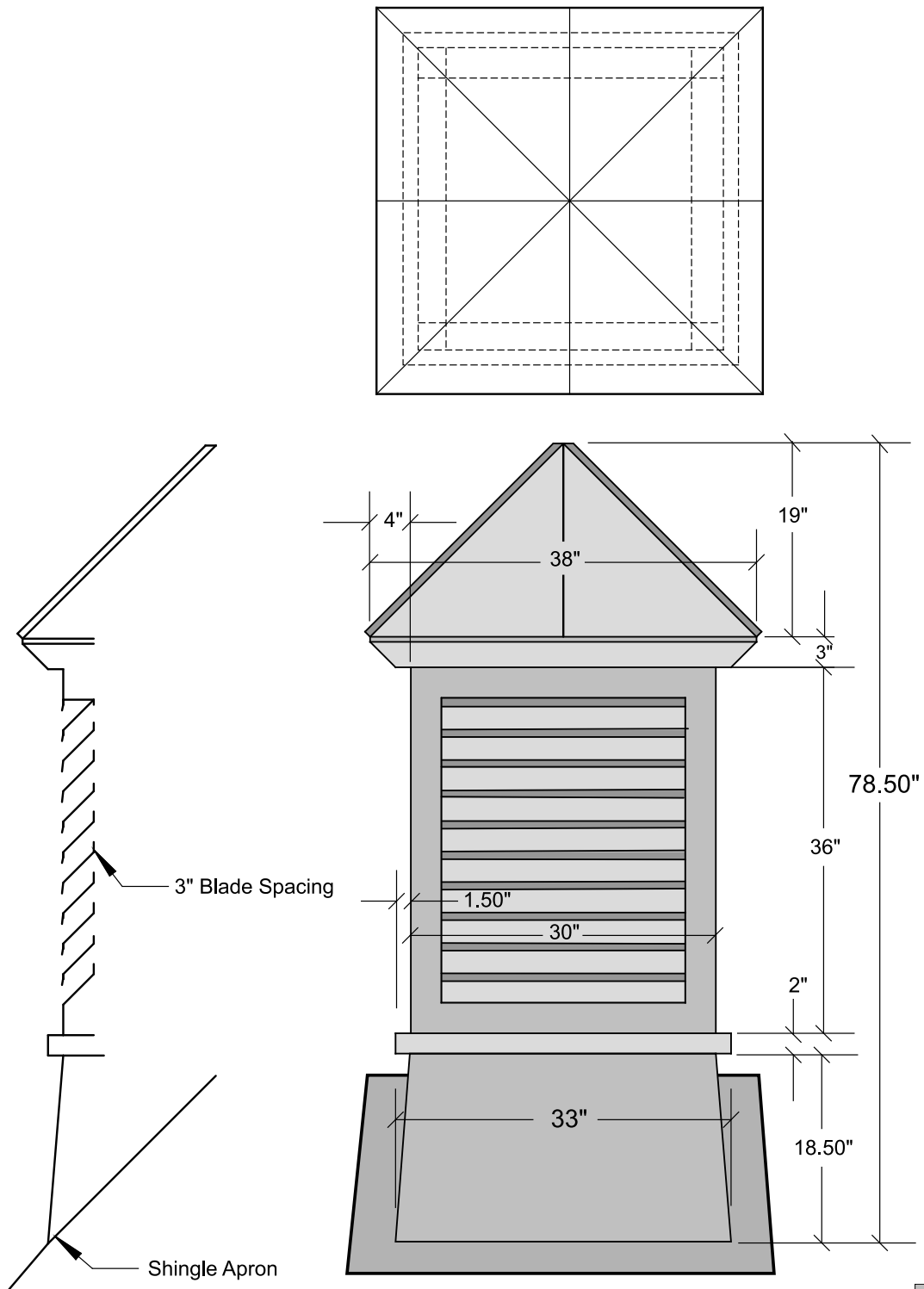
The Nottingham



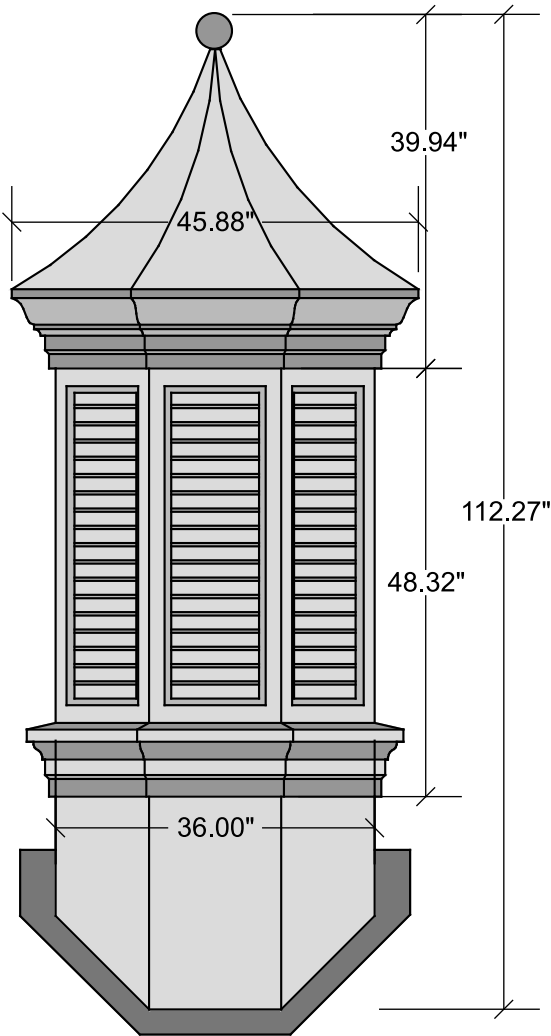
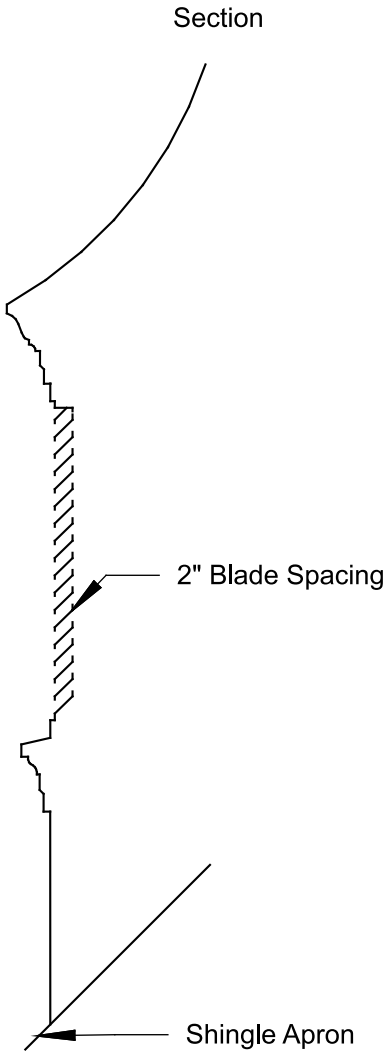
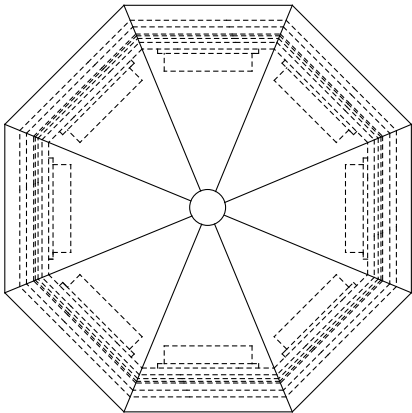
The Rancher



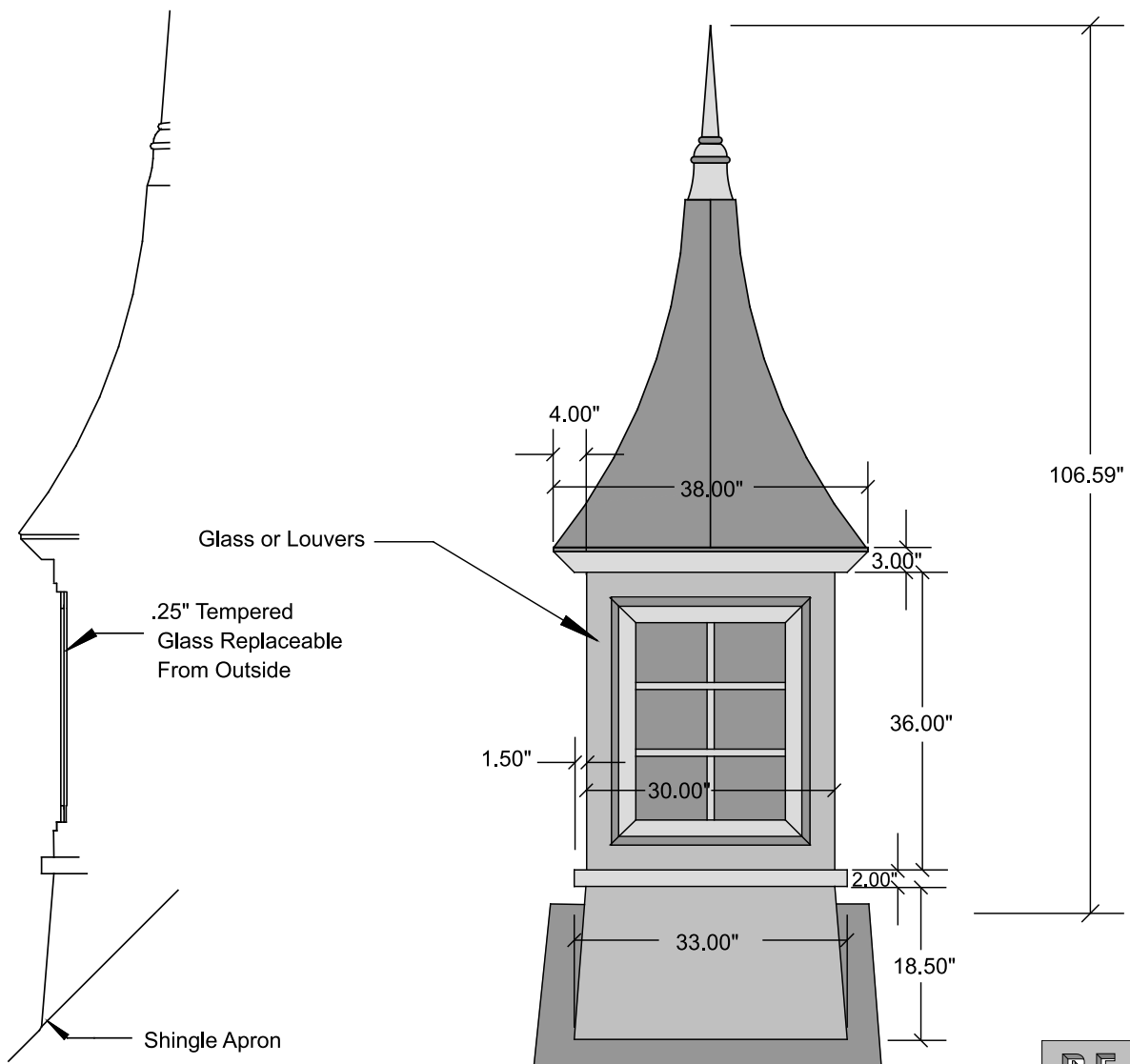
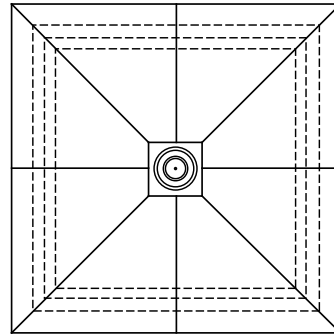
The Rushmore



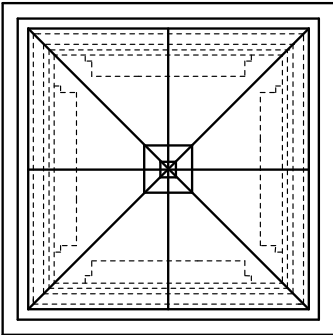
The Vanderbilt



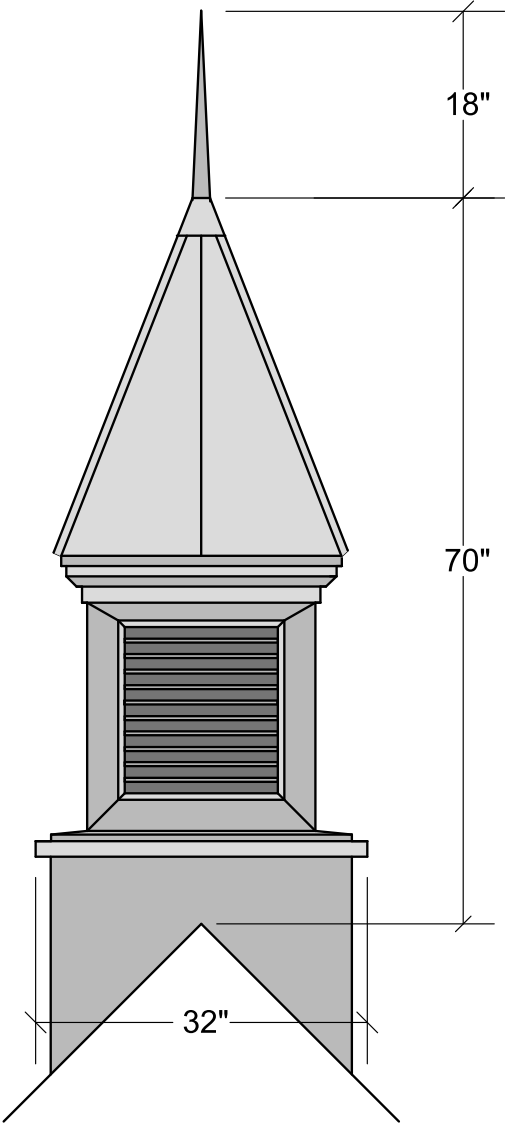
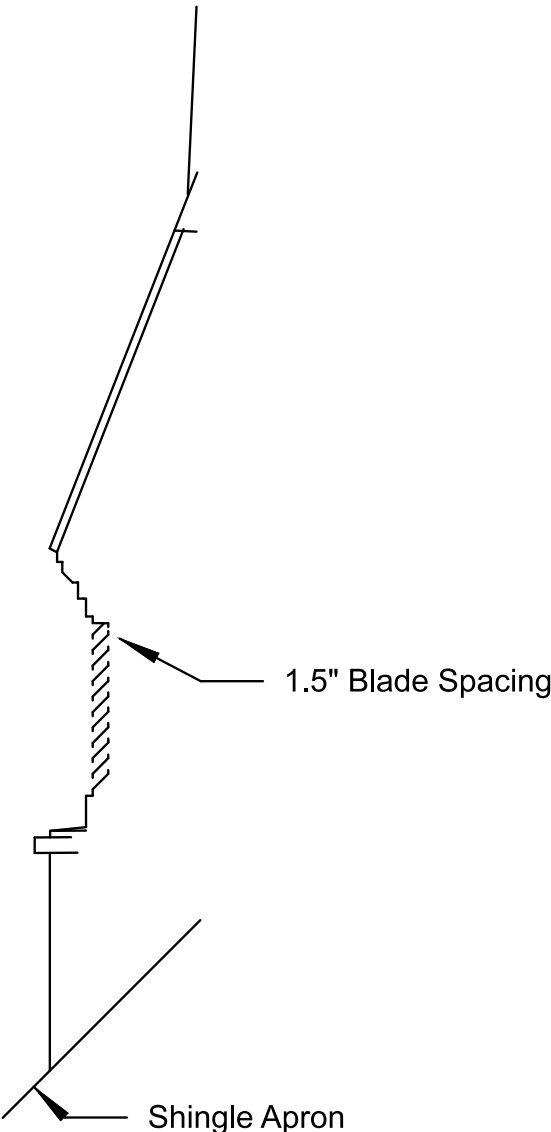
The Windowmere



The Windsor

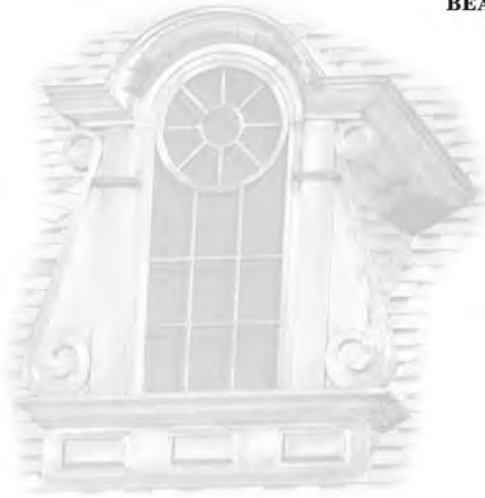


Section





BEACH SHEET METAL COMPANY, INC.
"Pride in Workmanship Since 1952"



CONDUCTOR HEADS



#23 The Lafayette





BEACH SHEET METAL COMPANY, INC.

"Pride in Workmanship Since 1952"

Conductor Head Drawings

Click on name to go to the drawing.

Hill Country

Royale

Lafayette

Wentworth

Lexington

Wimbledon

Princeton

Click here to go to the Conductor Head Photo page.

Conductor Heads

Conductor Heads add a distinctive touch to your gutter and downspout system.

Our conductors can be fabricated to be functional, thereby collecting the water from the gutter or thru-wall scupper prior to entering the downspout, or they may be ornamental and thus non-functional. Customize your conductors with hand-hammered ornaments, family initials, etc.

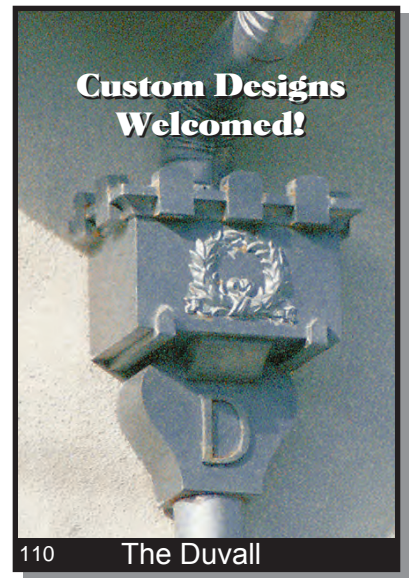
While we are presenting a sampling of our designs, the possibilities are unlimited.

Please call us with your special requests. When ordering please specify the type and size of downspout being used and if you desire the conductor to be functional.

Please note that Conductor Head #110 is lead coated copper.



23 The Lafayette



110 The Duvall



113 The Lexington



65 The Hill Country



26 The Wimbledon



24 The Royale



25 The Princeton



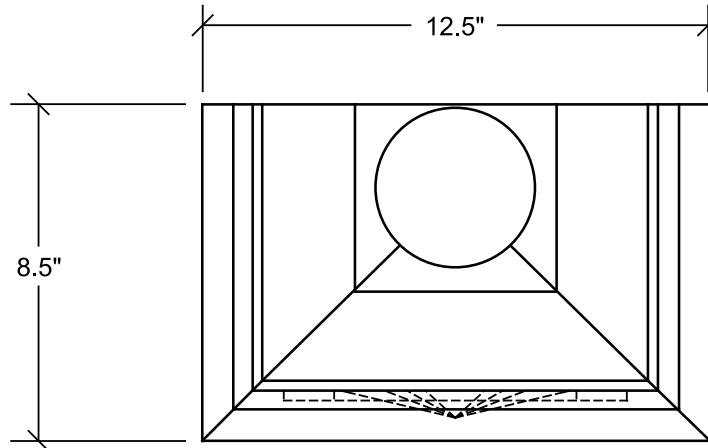
114 The Wentworth

Conductor Heads

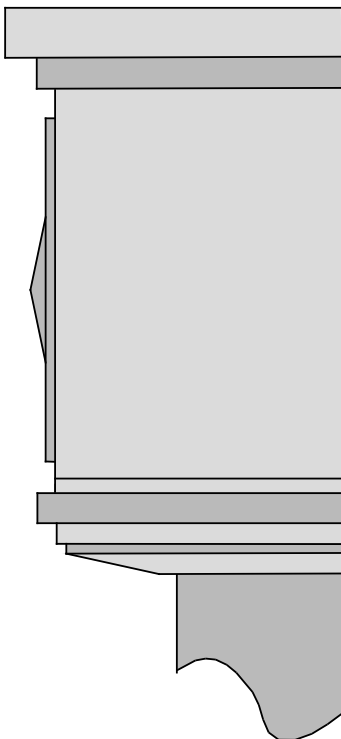
353 Long Creek Road • Sunnyvale, Texas 75182 • 972.226.4440 Phone
972.226.4441 Fax • beach@beachsheetmetal.com • www.beachsheetmetal.com

The Hill Country

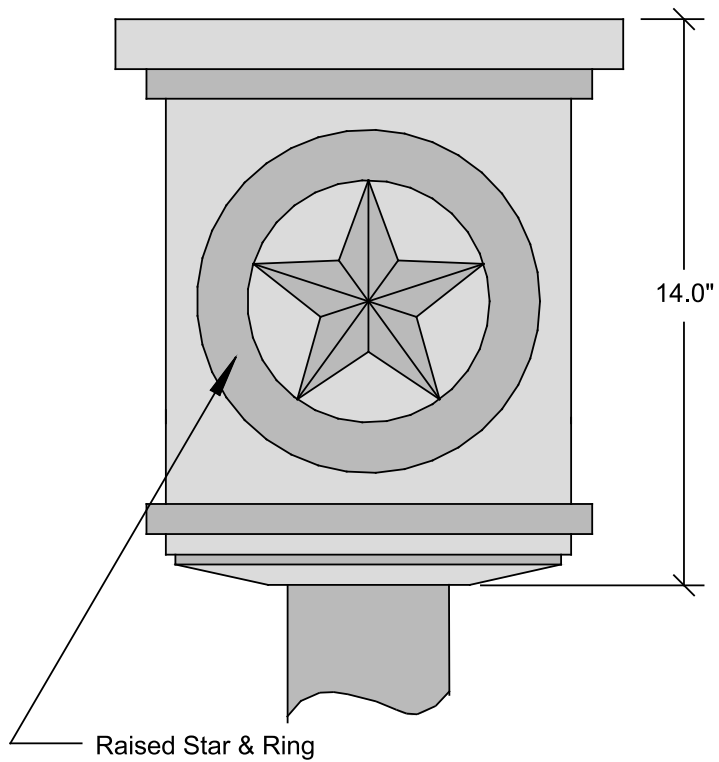
Plan View



Side View

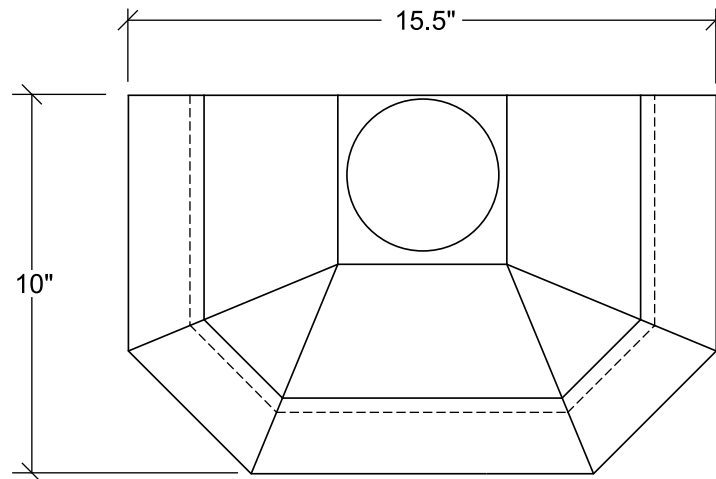


Front View

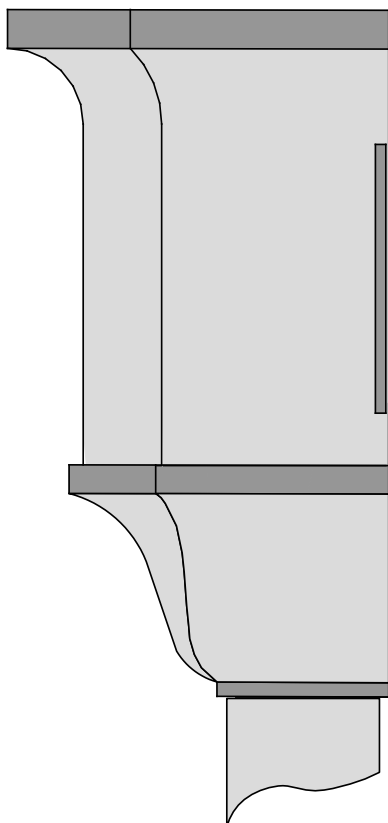


The Lafayette

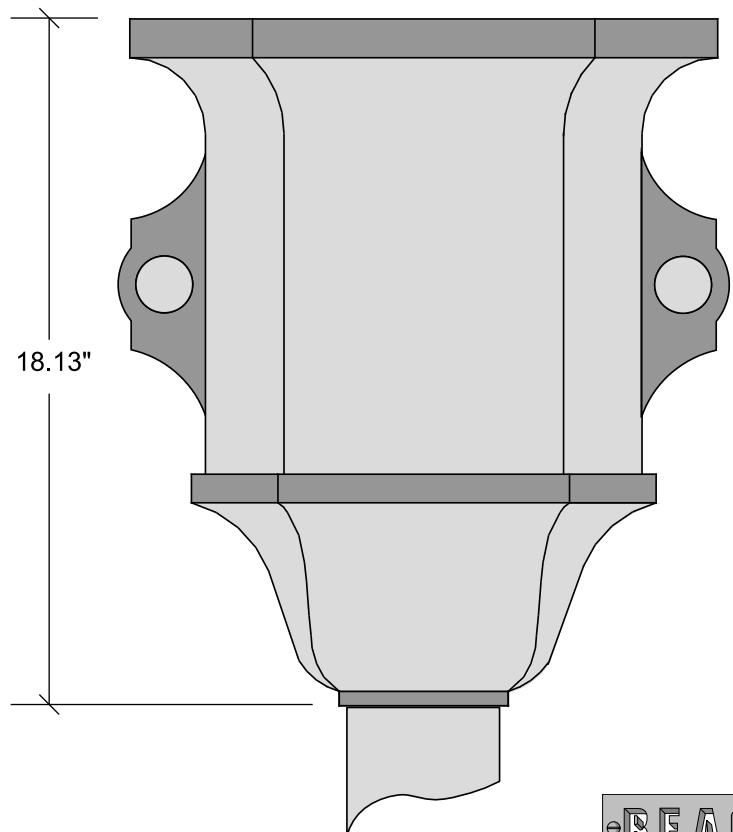
Plan View



Side View



Front View

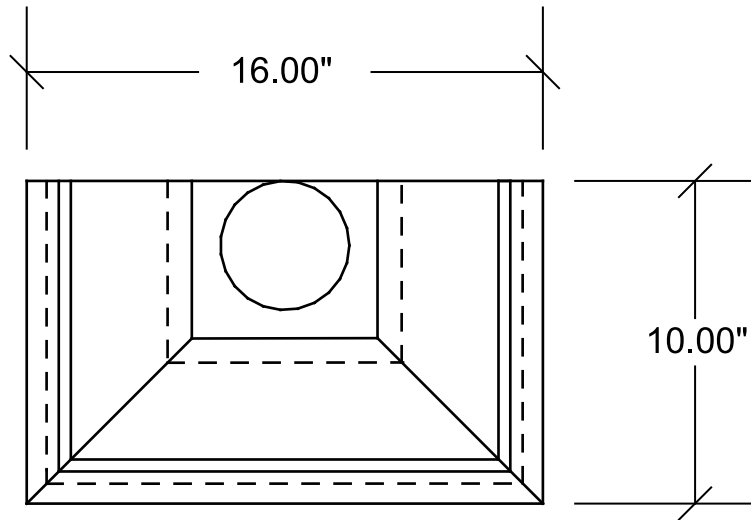


Conductor Heads

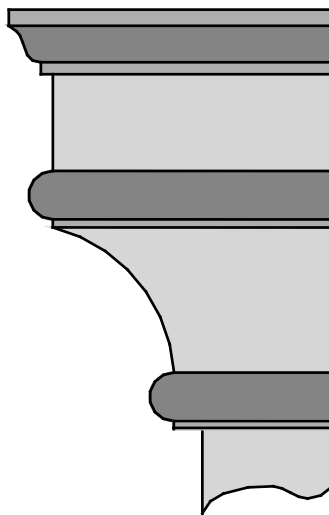
353 Long Creek Road • Sunnyvale, Texas 75182 • 972.226.4440 Phone
972.226.4441 Fax • beach@beachsheetmetal.com • www.beachsheetmetal.com

The Lexington

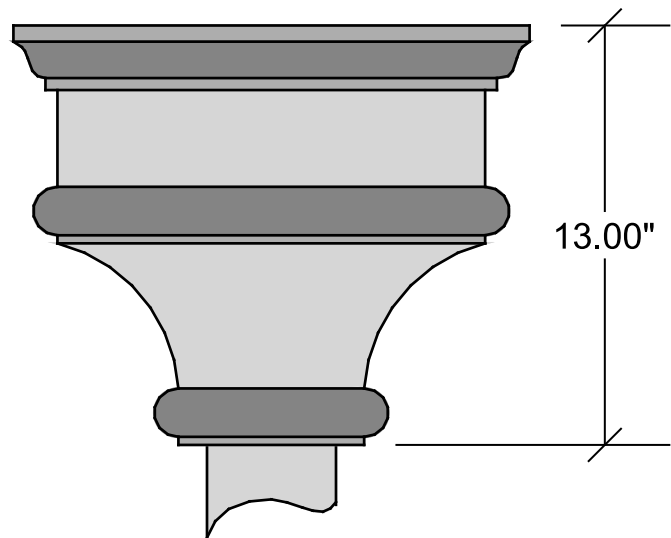
Plan View



Side View

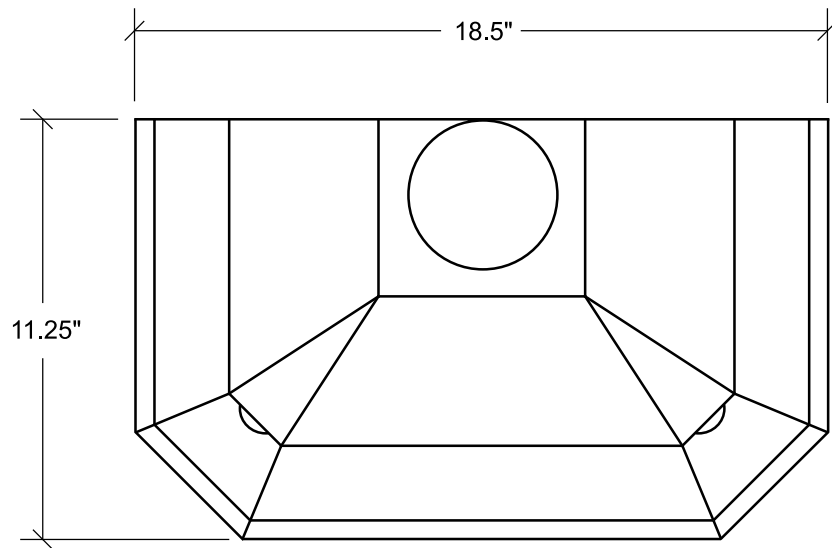


Front View



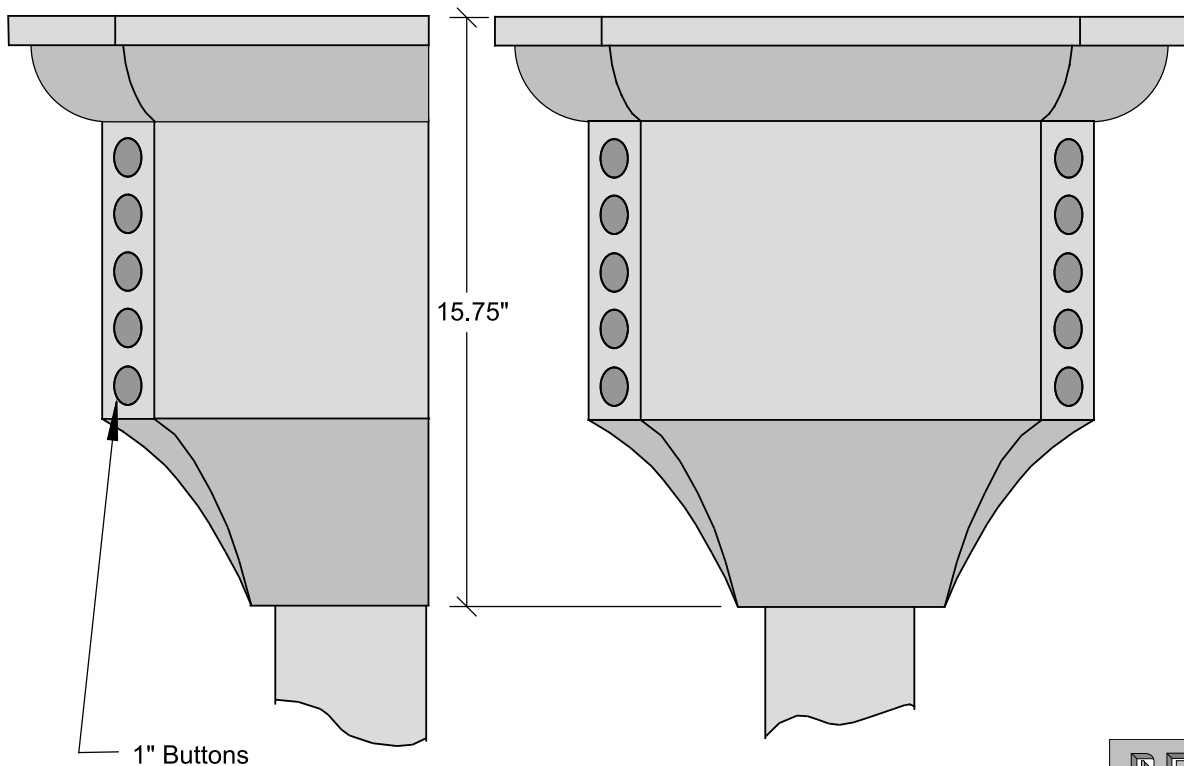
The Princeton

Plan View



Side View

Front View

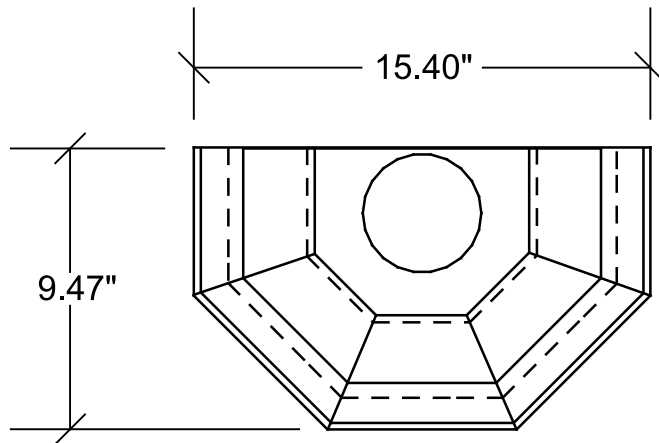


Conductor Heads

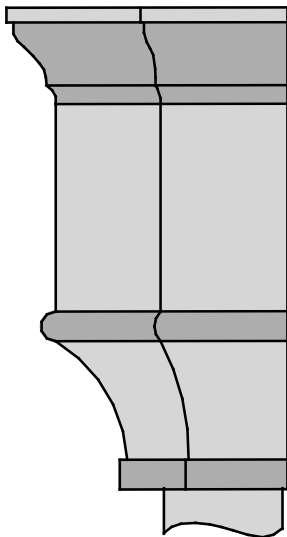
353 Long Creek Road • Sunnyvale, Texas 75182 • 972.226.4440 Phone
972.226.4441 Fax • beach@beachsheetmetal.com • www.beachsheetmetal.com

The Royale

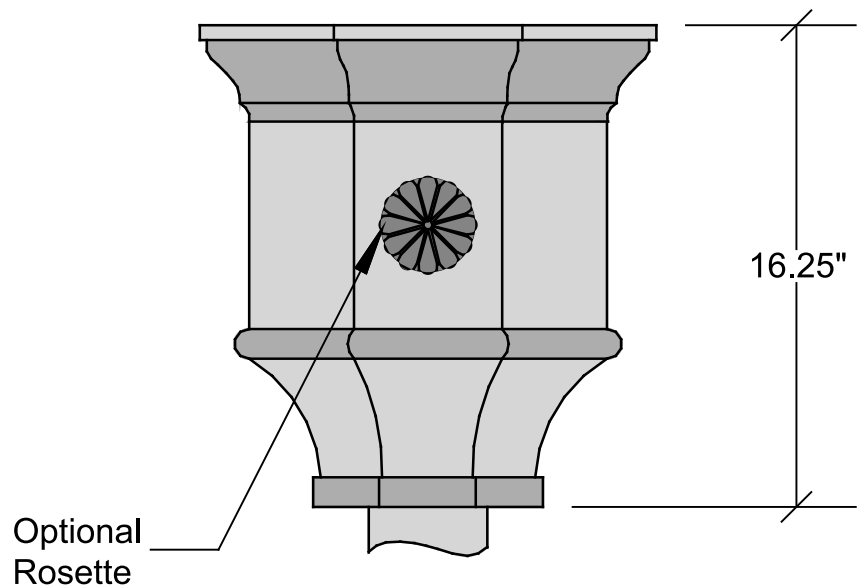
Plan View



Side View

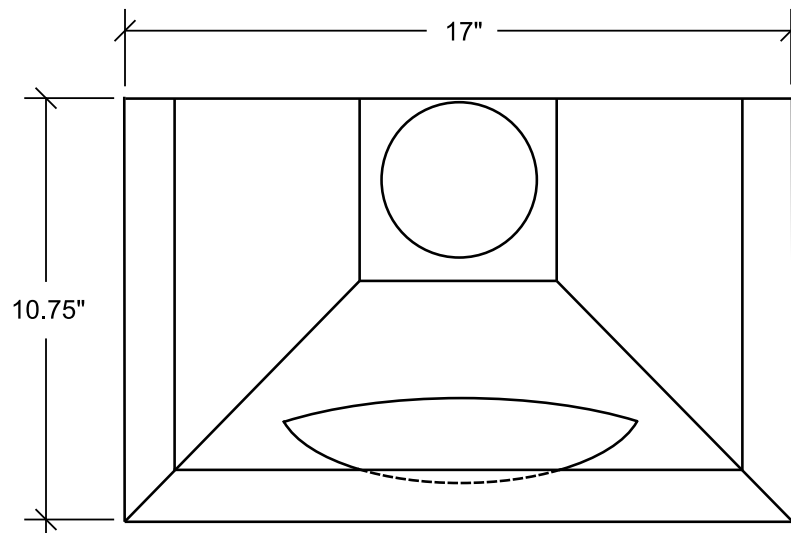


Front View

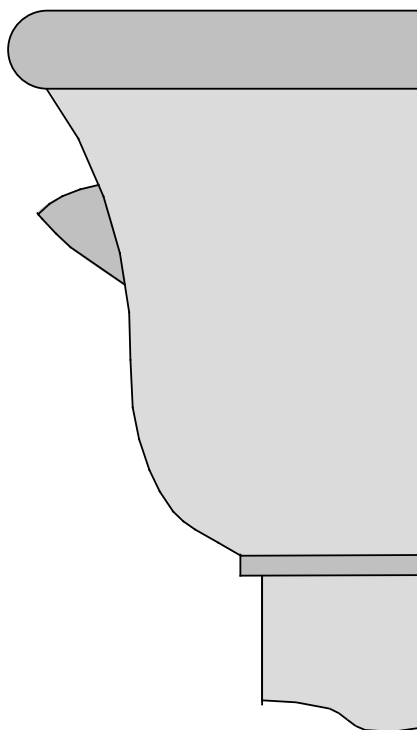


The Wentworth

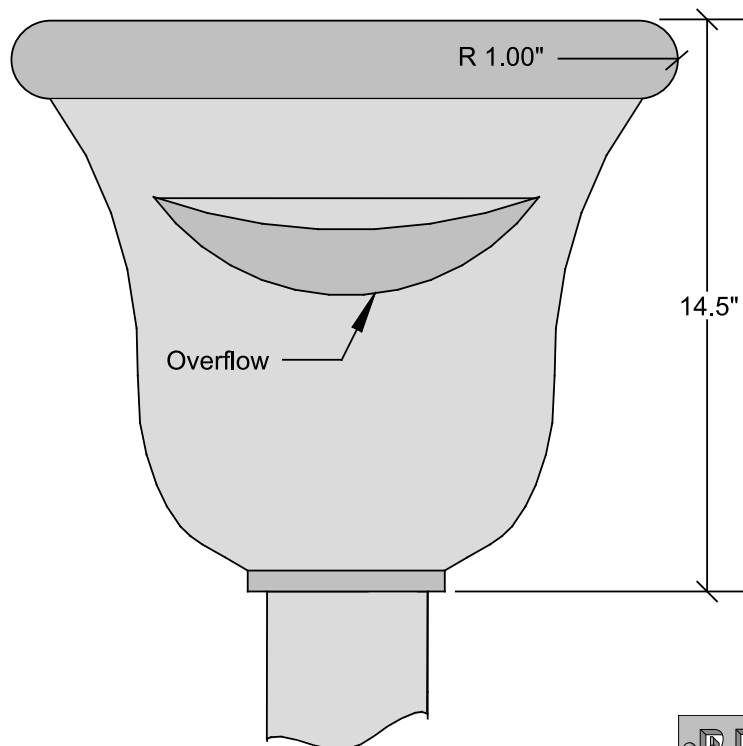
Plan View



Side View



Front View

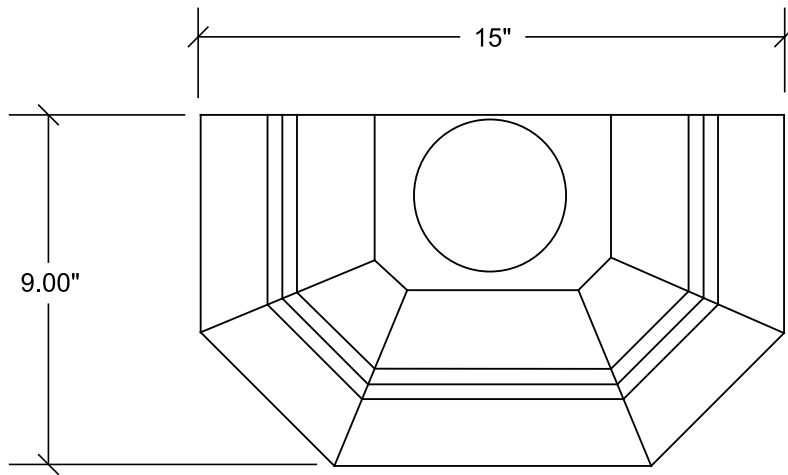


Conductor Heads

353 Long Creek Road • Sunnyvale, Texas 75182 • 972.226.4440 Phone
972.226.4441 Fax • beach@beachsheetmetal.com • www.beachsheetmetal.com

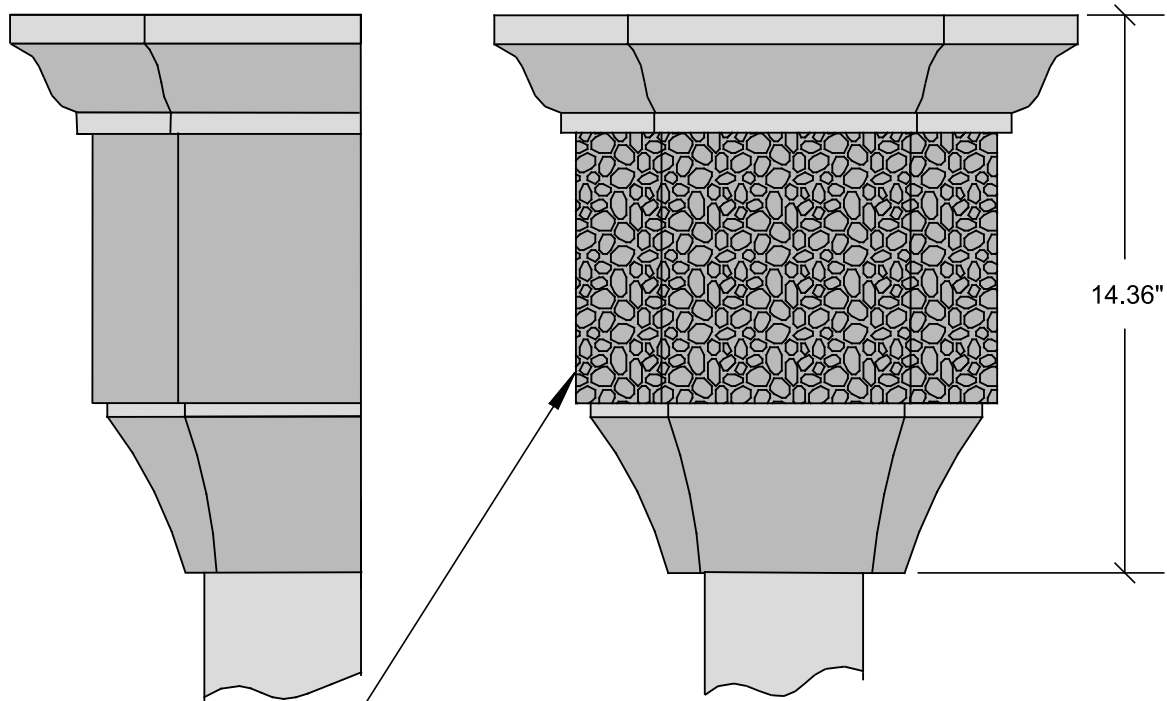
The Wimbledon

Plan View



Side View

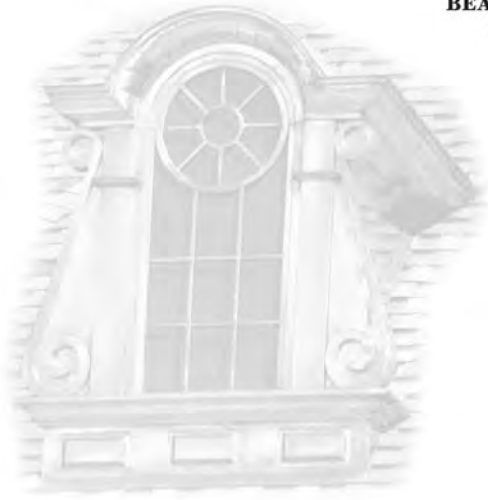
Front View



Hammered Finish Available On Some Materials



BEACH SHEET METAL COMPANY, INC.
"Pride in Workmanship Since 1952"



FINIALS



#69 The Strasborough





BEACH SHEET METAL COMPANY, INC.

"Pride in Workmanship Since 1952"

Finial Drawings

Click on name to go to the drawing.

Broadstone

Devonshire

Essex

Garabedian

Gothic

Oblique

Sahara

Sphere

Strasborough

Turrett

Click here to go to the Finial Photo page.

Finials

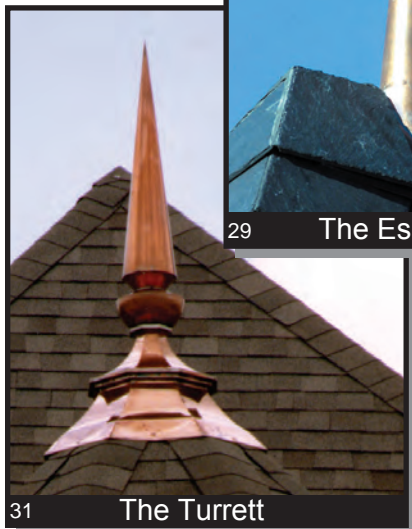
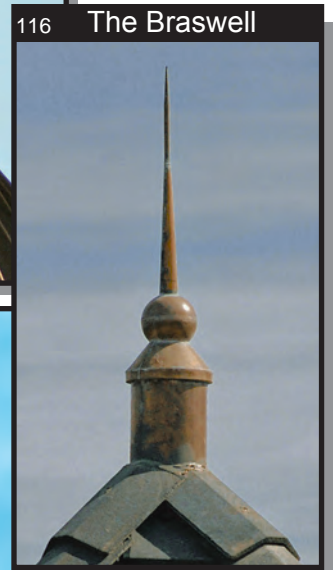
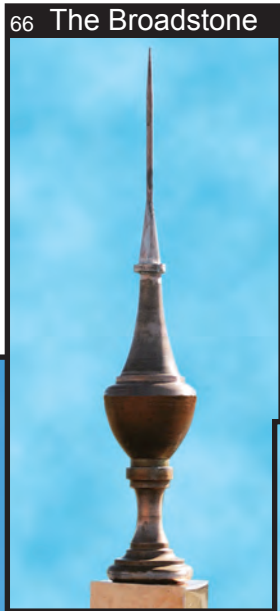
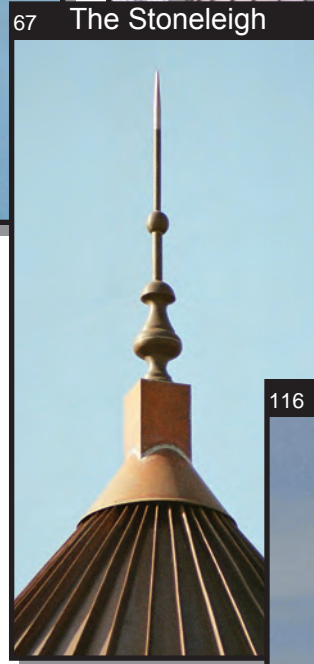
Beach Sheet Metal can custom create finials to meet your architectural needs.

Our standard units are fabricated to accommodate your specific roof pitch and finial position.

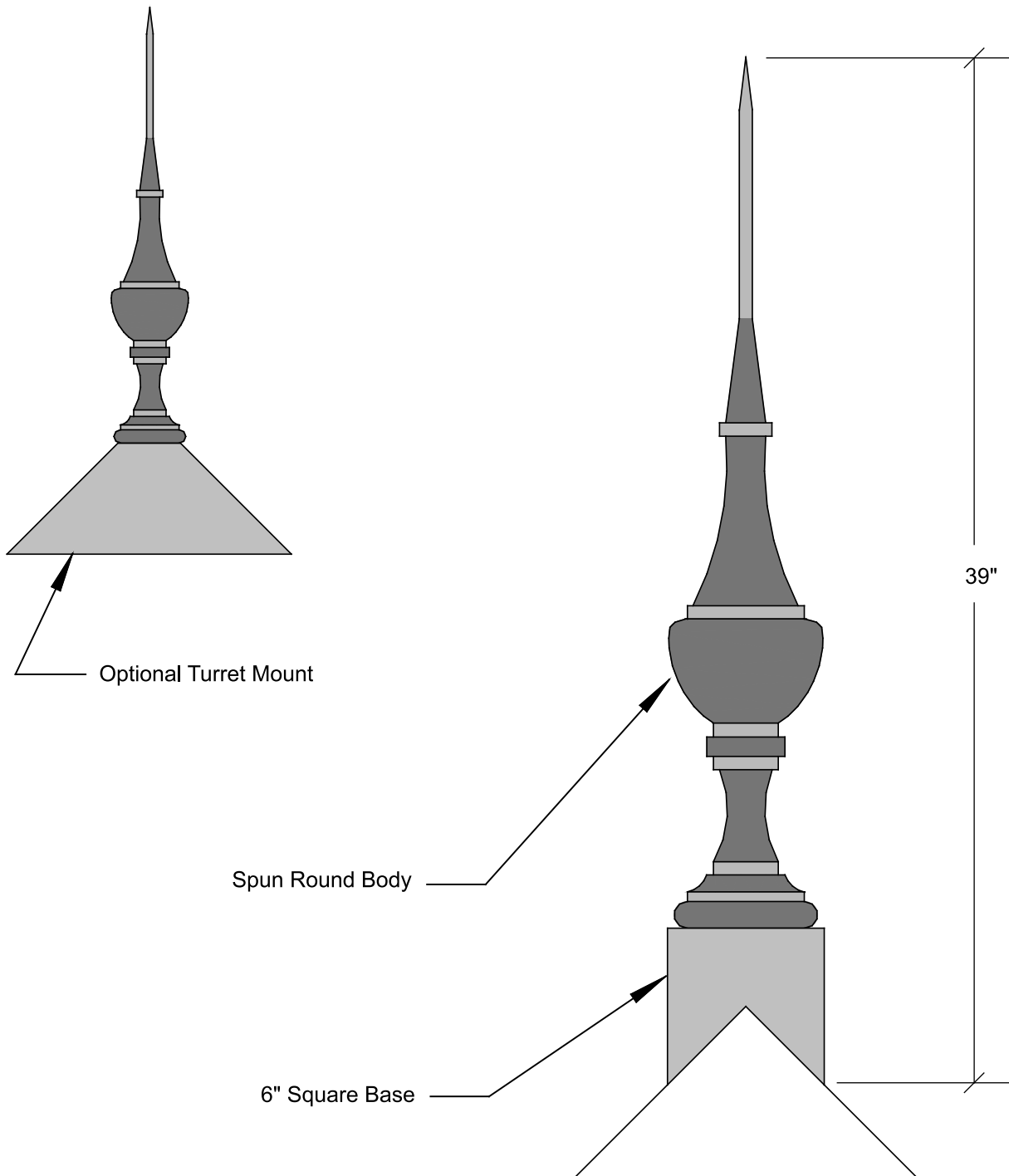
All units can be fabricated to accept grounding cables for lightning protection.

If you have a need to re-create or match an existing finial, please fax a drawing or provide us a photograph and we will strive to duplicate it.

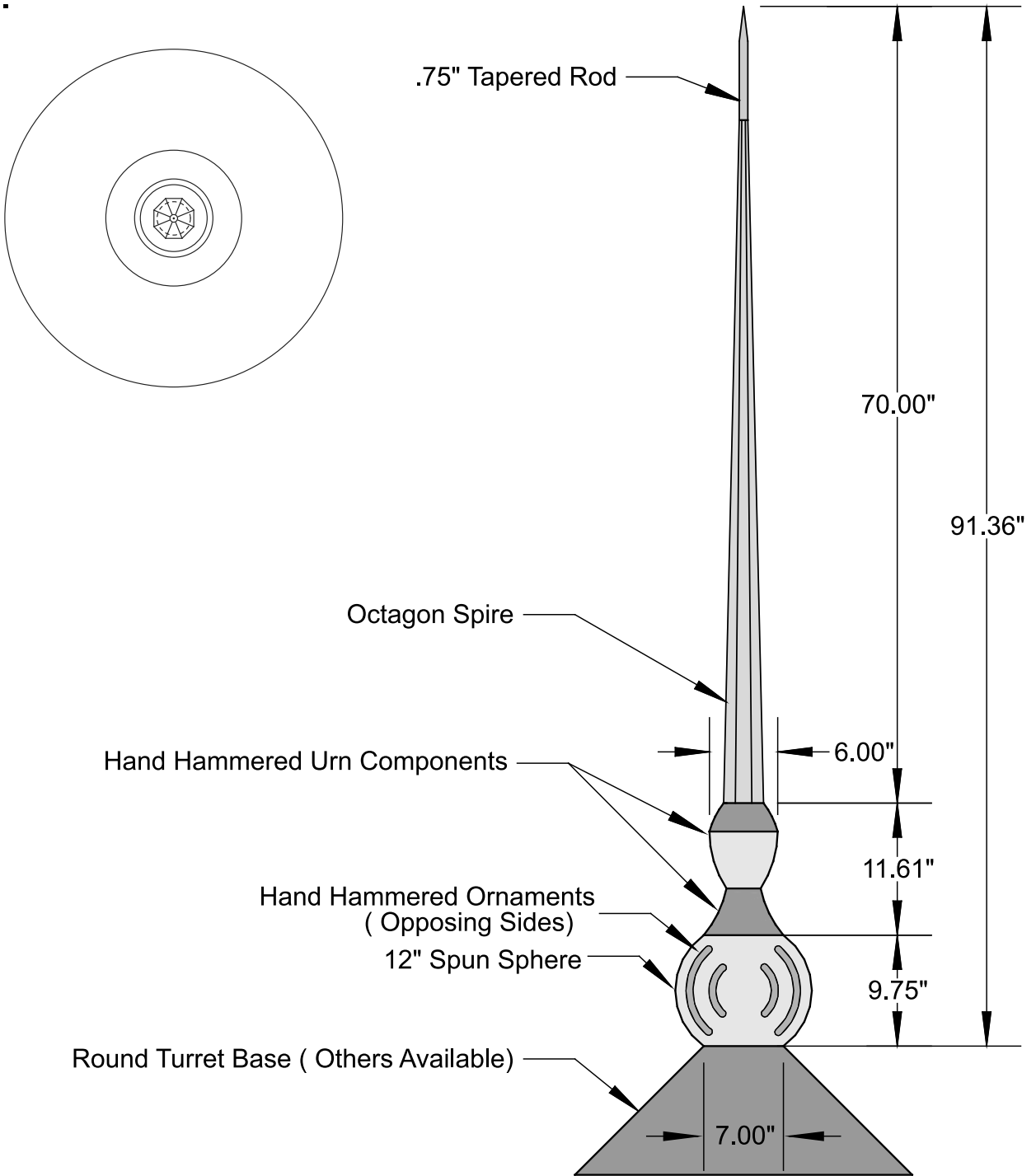
All finials are shipped with installation instructions.



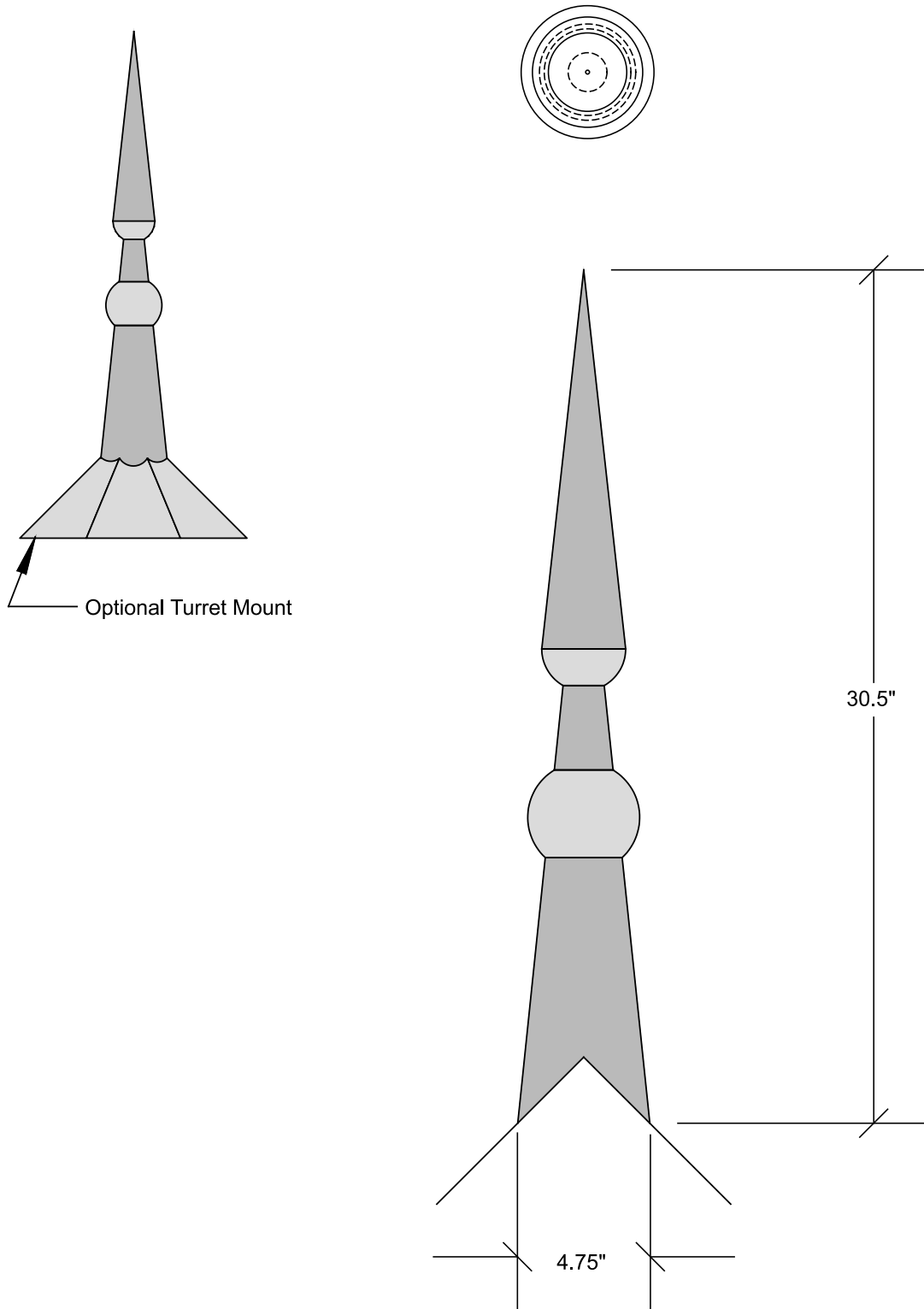
The Broadstone



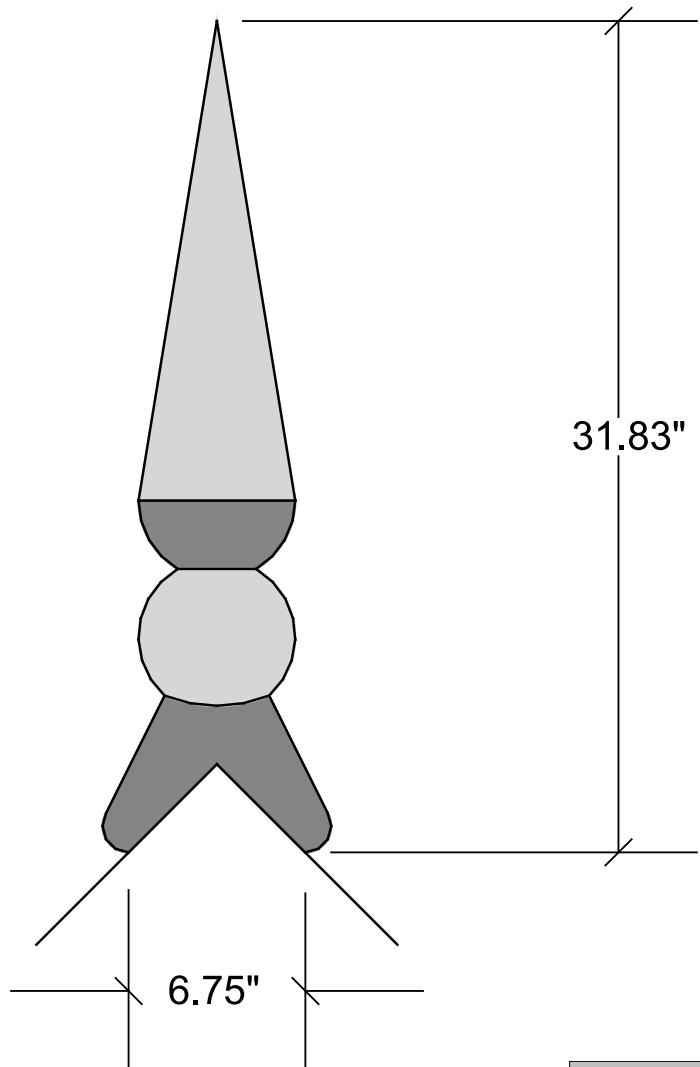
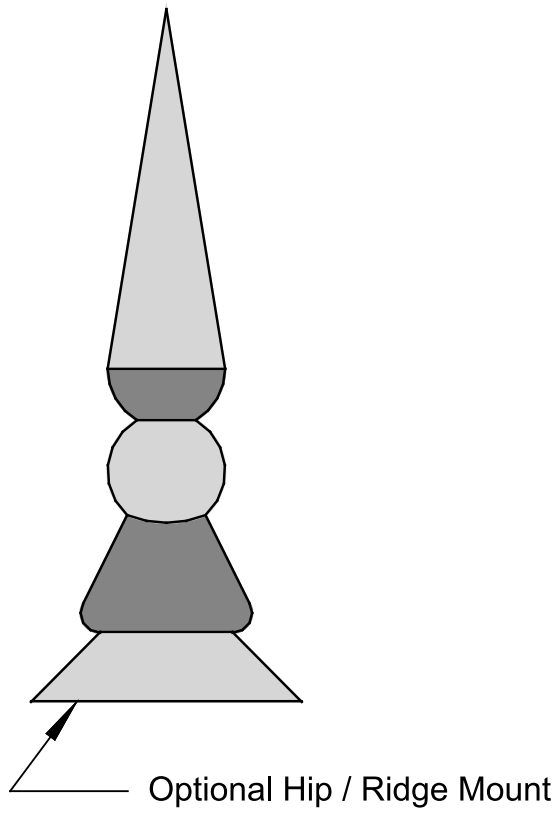
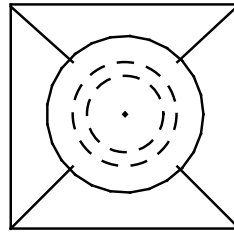
The Devonshire



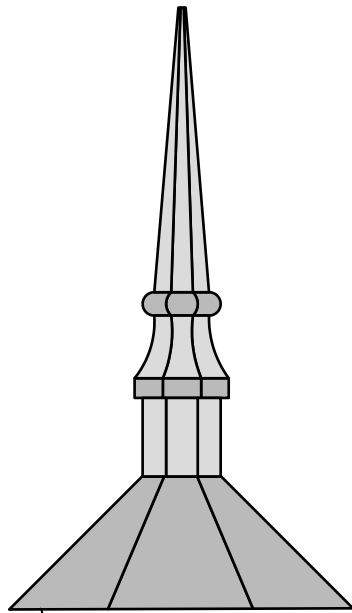
The Essex



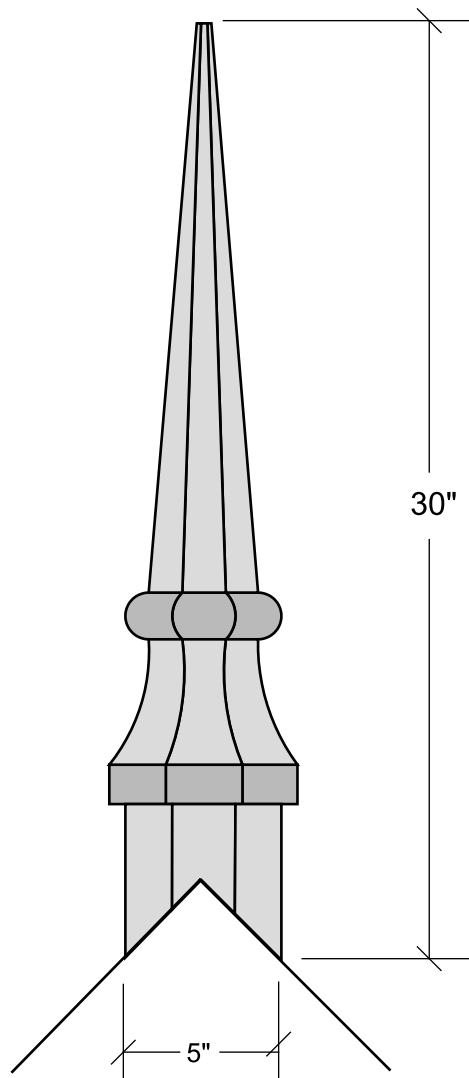
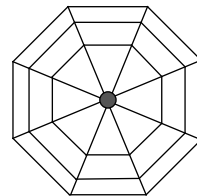
The Garabedian



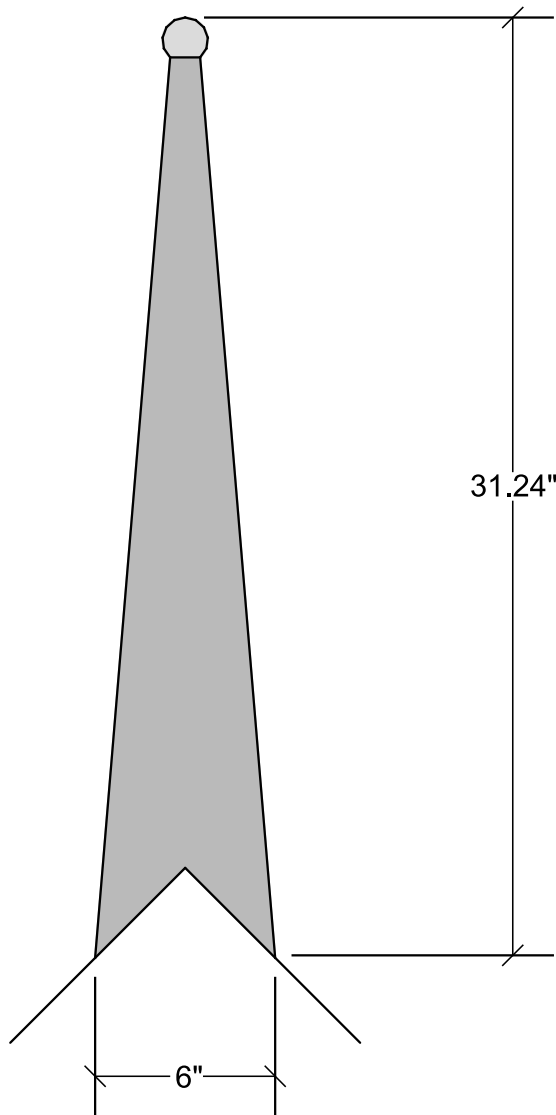
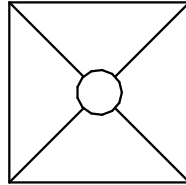
The Gothic



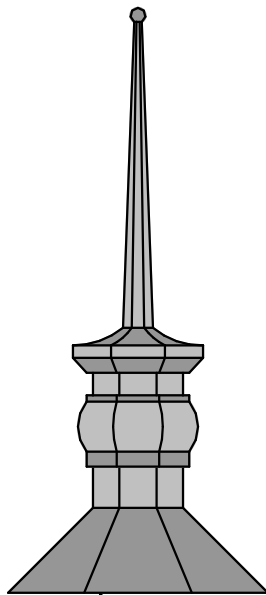
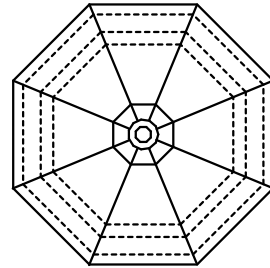
Optional Turret Mount



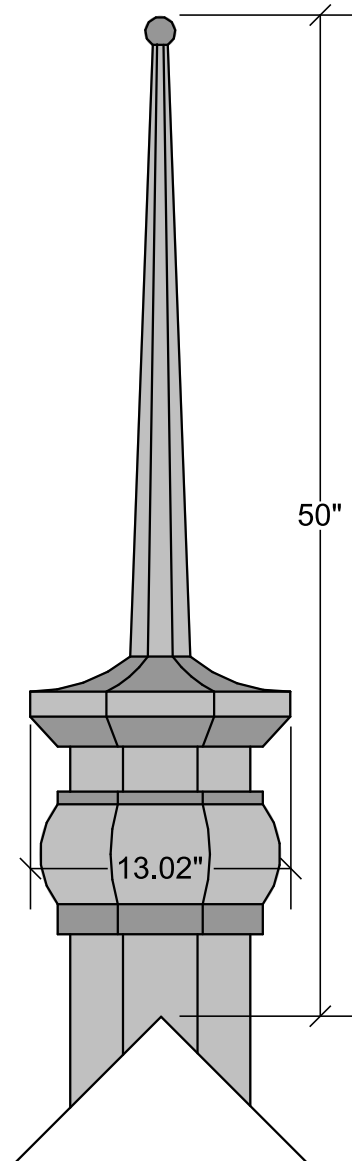
The Oblique



The Sahara

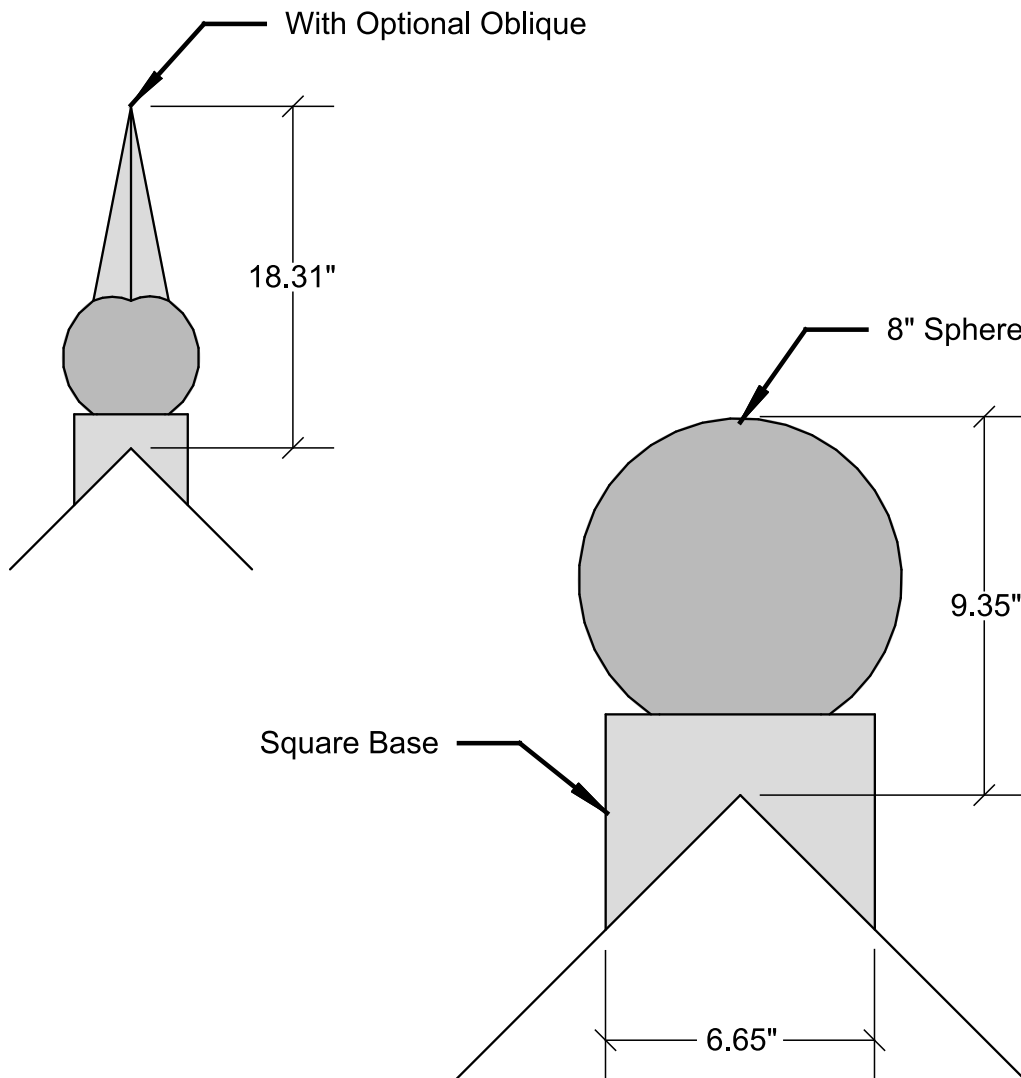
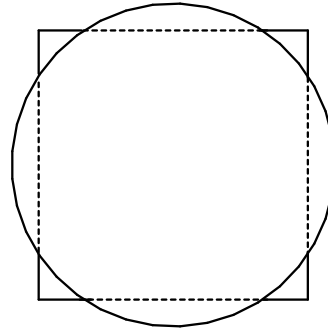
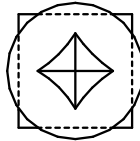


Optional Turret Mount

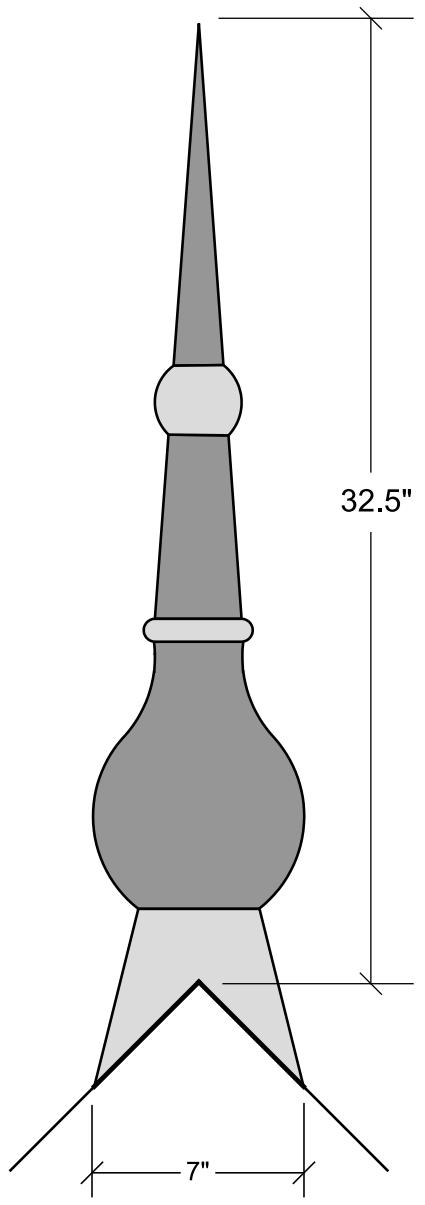
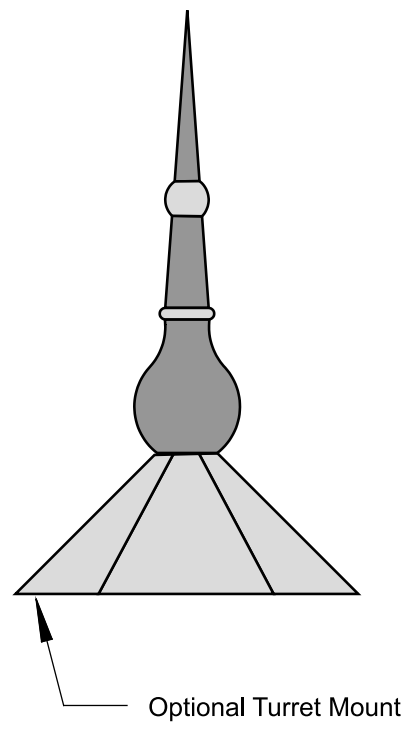
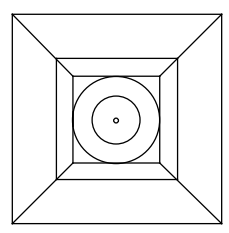


Refer to the display photo #107 in the back of the catalog.

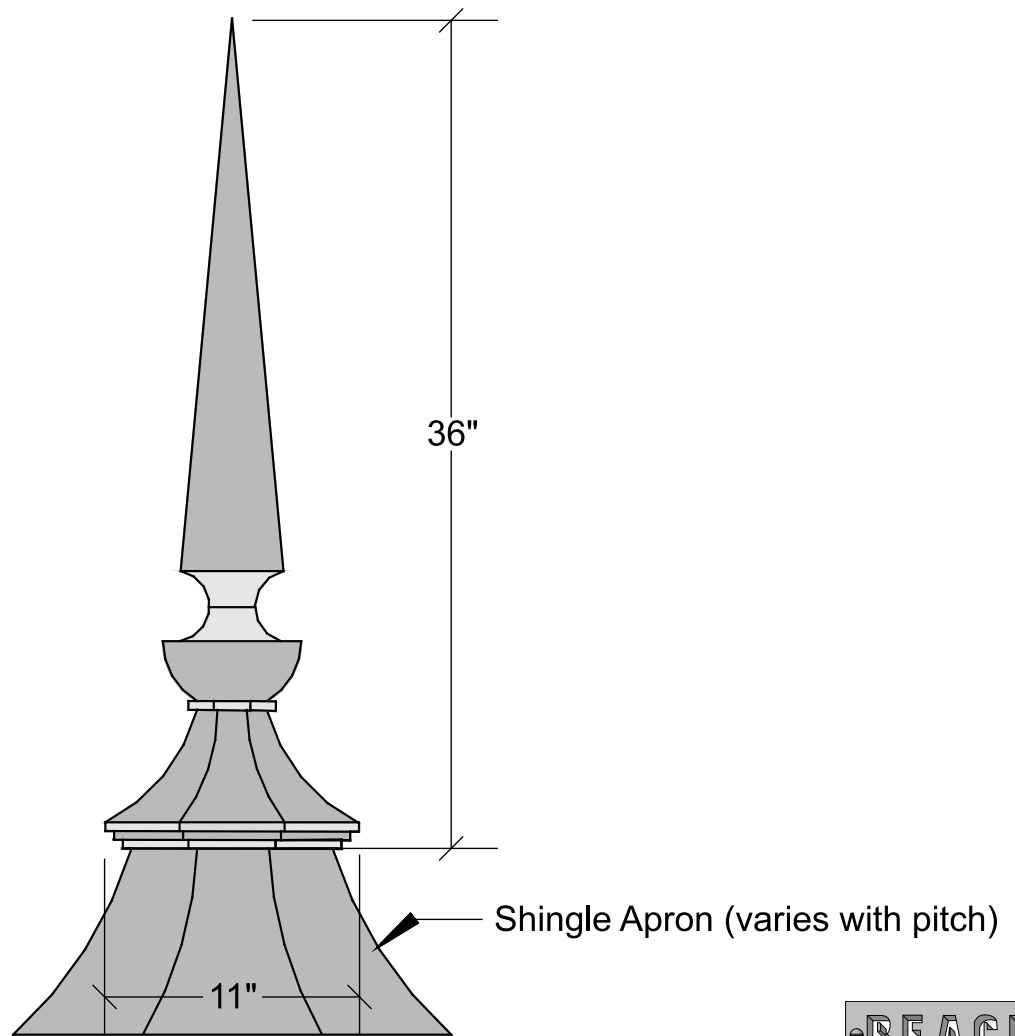
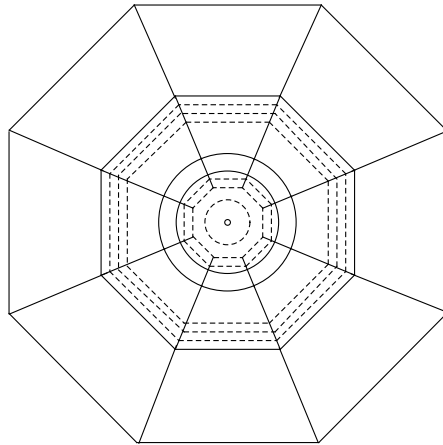
The Sphere



The Strasborough

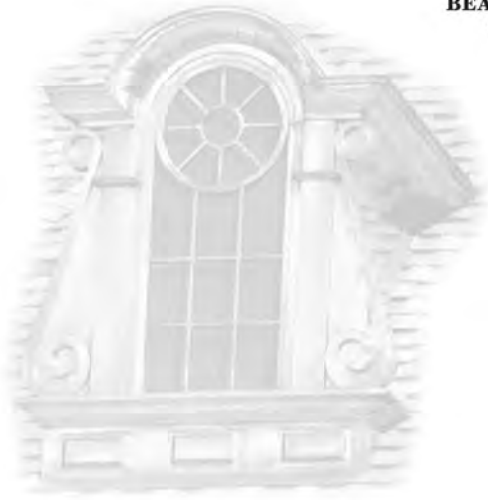


The Turrett





BEACH SHEET METAL COMPANY, INC.
"Pride in Workmanship Since 1952"



CHIMNEY CAPS



#71 The Mount Vernon





BEACH SHEET METAL COMPANY, INC.

"Pride in Workmanship Since 1952"

Chimney Cap Drawings

Click on name to go to the drawing.

Brentwood

Mount Vernon

European

Traditional

Gable

Chimney Cap Base Types

Majestic

Click here to go to the Chimney Cap Photo page.

Chimney Caps

Beach Sheet Metal chimney caps are designed to not only add that special “finishing touch” to your chimney but to also protect the chimney from damaging rain, ice, birds and rodents.

Chimney caps should appear to have been designed as a part of the home – not as an after-thought.

Our caps are designed, fabricated, and assembled to endure strong wind and weather conditions.

Installation procedures are included with each unit. We will gladly assist you with your special design needs.

Please note that Chimney Cap #36 is paint grip steel and #109 is pre-patinaed copper.



32 The Traditional



109 The Landon



99 The Avida



36 The Majestic



37 The Roundtop



33 The European



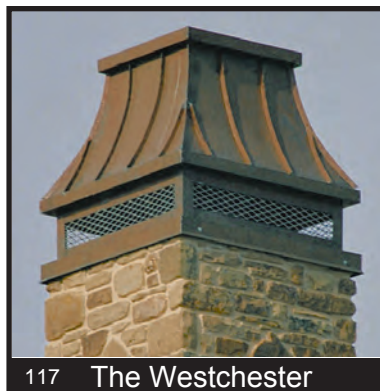
35 The Brentwood



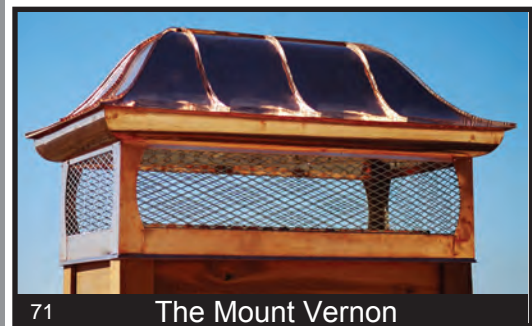
73 The Gable



70 The Gothic



117 The Westchester

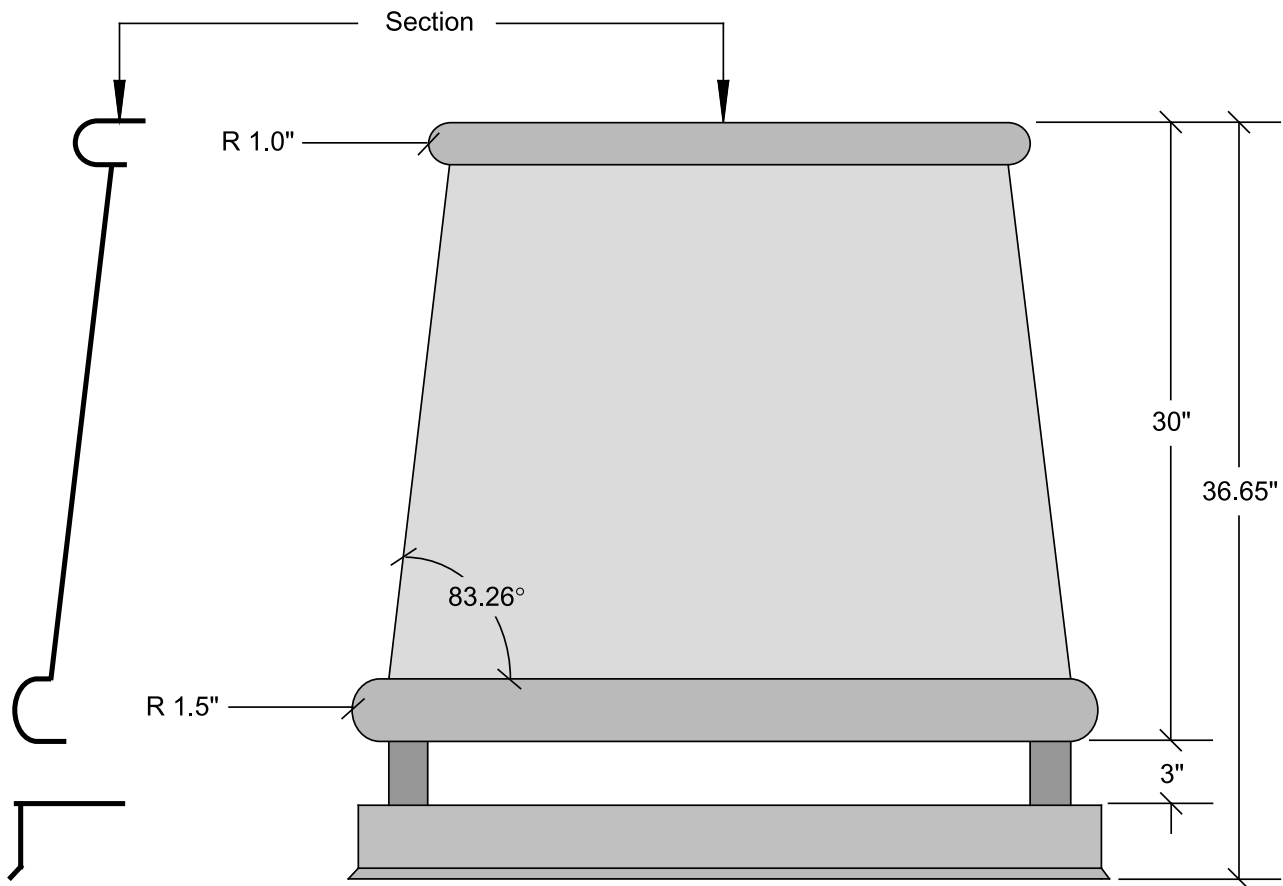
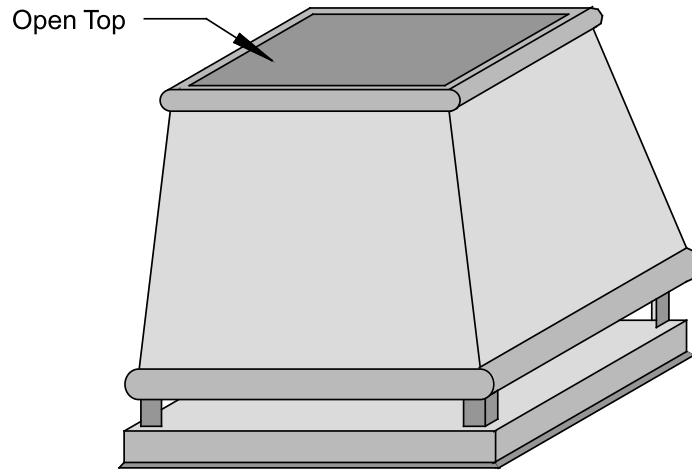


71 The Mount Vernon

Chimney Caps

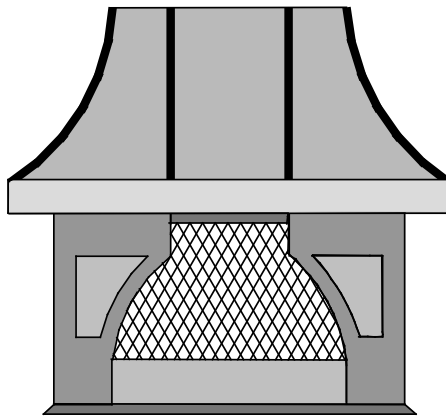
353 Long Creek Road • Sunnyvale, Texas 75182 • 972.226.4440 Phone
972.226.4441 Fax • beach@beachsheetmetal.com • www.beachsheetmetal.com

The Brentwood

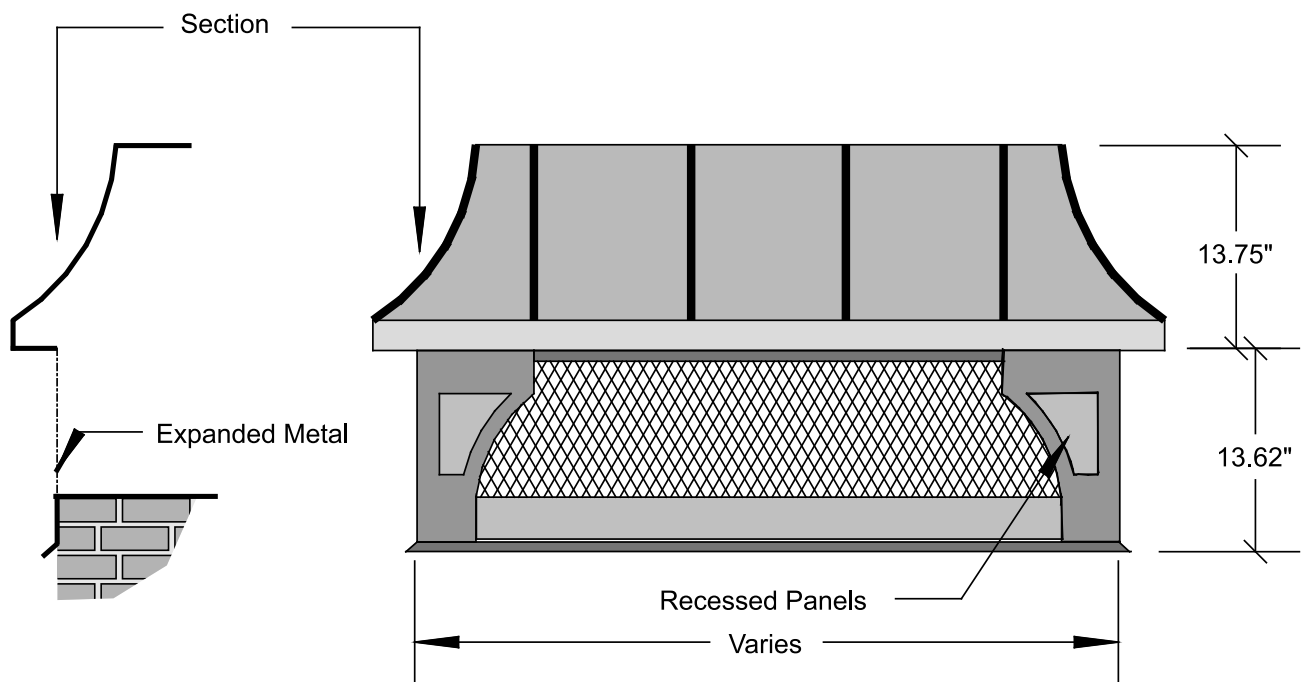


The European

End View



Side View

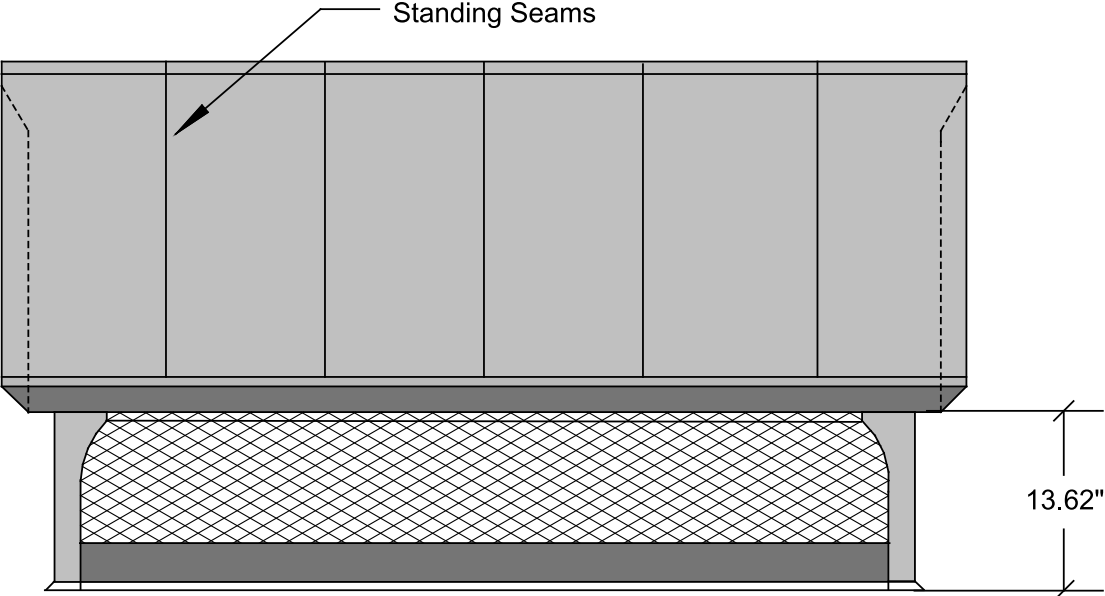


Chimney Caps

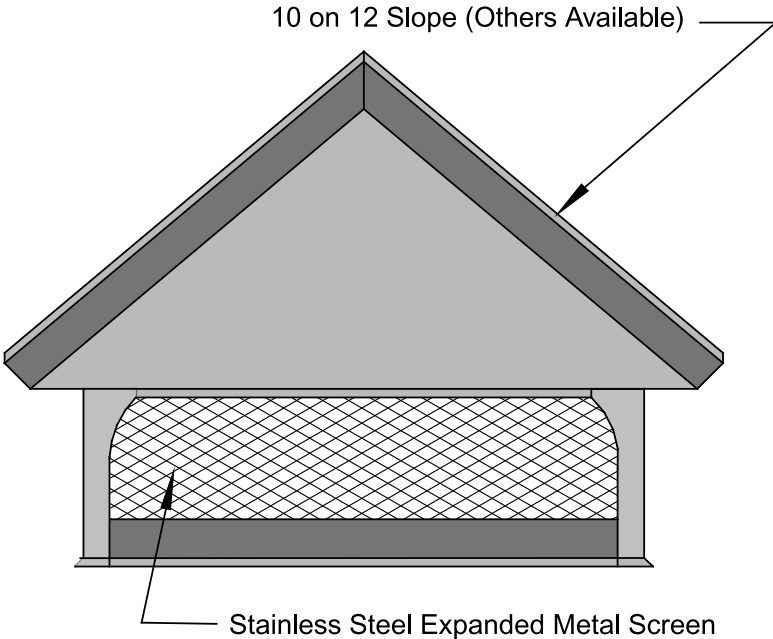
353 Long Creek Road • Sunnyvale, Texas 75182 • 972.226.4440 Phone
972.226.4441 Fax • beach@beachsheetmetal.com • www.beachsheetmetal.com

The Gable

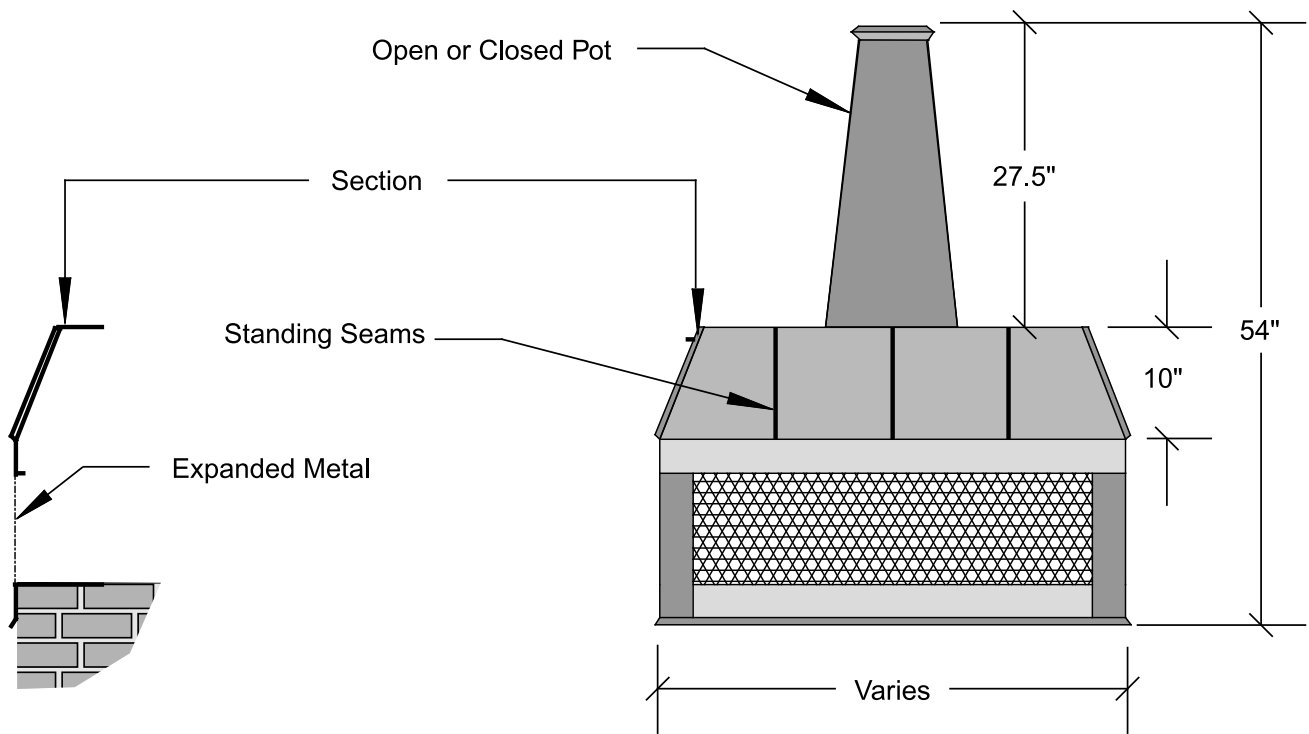
Side View



Front View



The Majestic

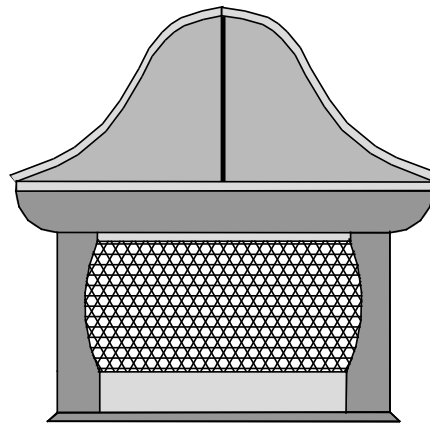


Chimney Caps

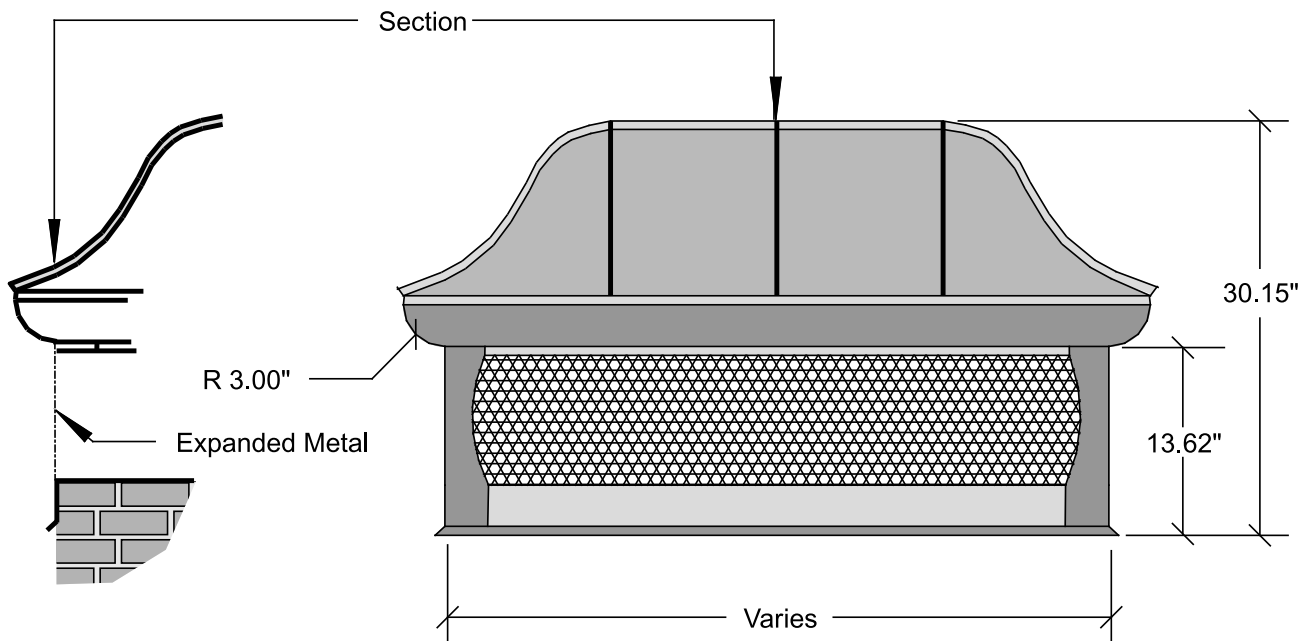
353 Long Creek Road • Sunnyvale, Texas 75182 • 972.226.4440 Phone
972.226.4441 Fax • beach@beachsheetmetal.com • www.beachsheetmetal.com

The Mount Vernon

End View

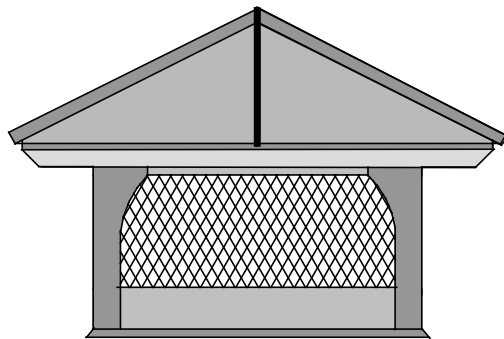


Side View

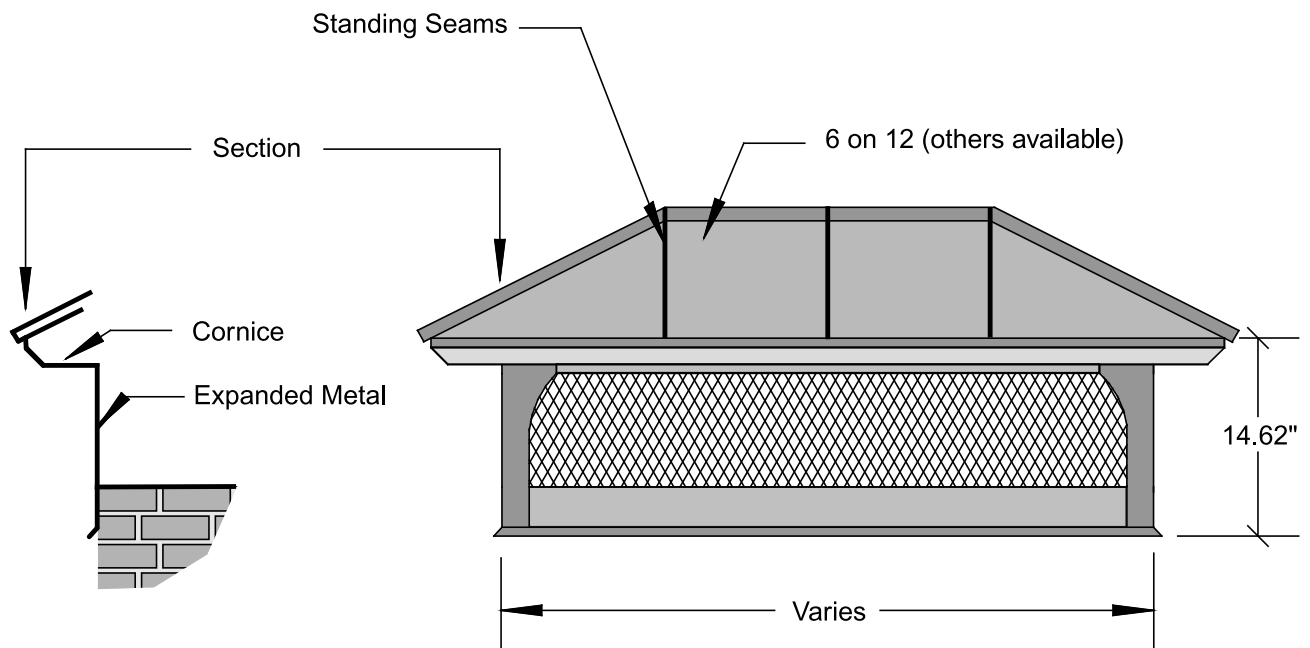


The Traditional

End View



Side View

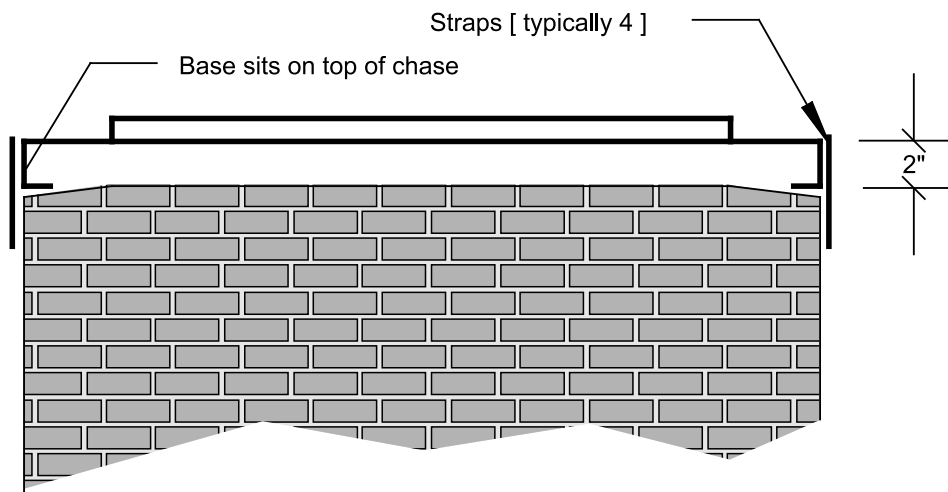


Chimney Cap Base Types

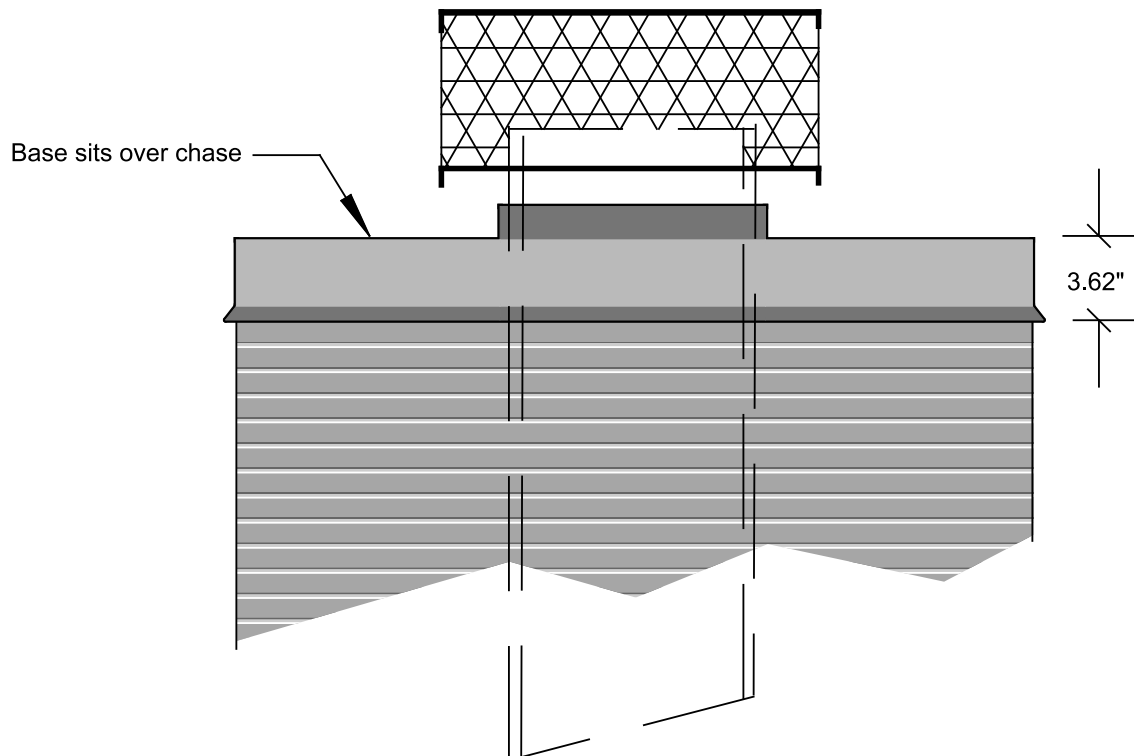
353 Long Creek Road • Sunnyvale, Texas 75182 • 972.226.4440 Phone
972.226.4441 Fax • beach@beachsheetmetal.com • www.beachsheetmetal.com

Chimney Cap Base Types

Typical Brick Base

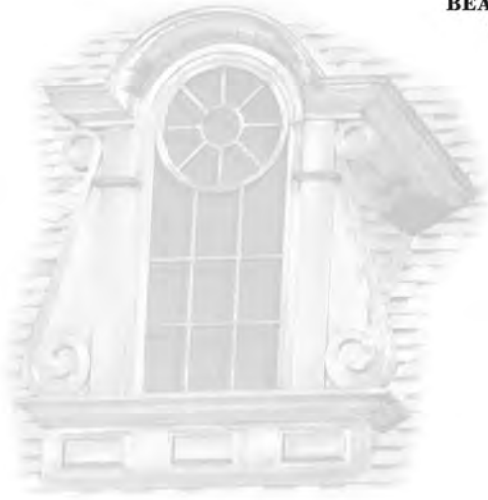


Typical Base for Manufactured Fireplace

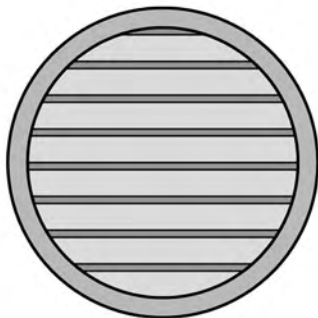




BEACH SHEET METAL COMPANY, INC.
"Pride in Workmanship Since 1952"



LOUVERED VENTS



Round



Radius Top



Louvered Vents

In 1952, Raymond and Francis Beach started building louvered vents in a one car garage in their small home in East Dallas.

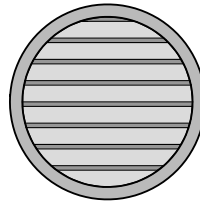
Over the years literally thousands of these vents have been supplied to home and apartment builders, lumber yards and supply firms throughout this area.

Mr. Beach took pride in building a high-quality louver utilizing heavy quality materials and true craftsmanship.

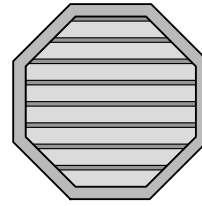
Our louvered vents are designed for installation into siding or with a special "brick mould" for installation into brick or stone walls.

All of our vents are fabricated with an insect screen of a compatible material.

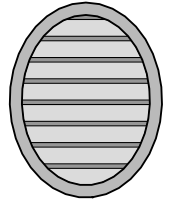
These vents can be fabricated to any dimension you desire and most types are available in galvanized steel, paint-grip, aluminum, copper, pre-patina copper, and lead coated copper.



Round



Octagonal



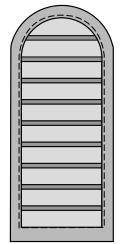
Oval



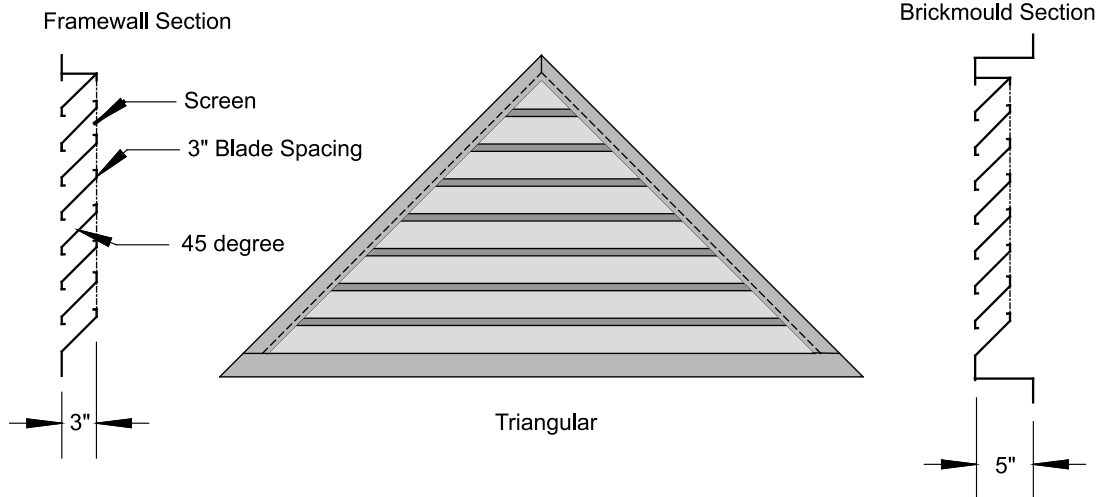
Eyebrow



Rectangular & Square



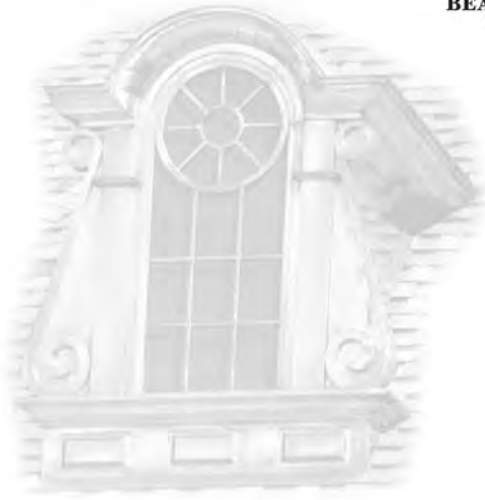
Radius Top



353 Long Creek Road
 Sunnyvale, Texas 75182
 972.226.4440 Phone
 972.226.4441 Fax
 beach@beachsheetmetal.com
 www.beachsheetmetal.com



BEACH SHEET METAL COMPANY, INC.
"Pride in Workmanship Since 1952"



SPECIALTY PRODUCTS



#94 The Potomac



BEACH SHEET METAL COMPANY, INC.

"Pride in Workmanship Since 1952"

Specialty Product Drawings

Click on name to go to the drawing.

Potomac

Click here to go to the Photo page.

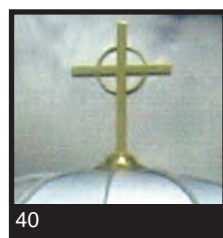
Specialty Products

From mailboxes, fireplace doors, awnings, vent hoods, hammered copper counter tops, mantels, column caps, and crosses to custom water fountains, Beach Sheet Metal offers the design and fabricating capabilities to provide you the finest quality craftsmanship available in architectural metal work.

Special materials such as brass or gold leafing can be utilized on some products to add a unique flair to their design. Often a hammered finish will lend an aged or distressed look that achieves a designers particular look and feel.

Explore the possibilities in the work we have displayed throughout this catalog and give us a call to see how we may assist you with your project.

Please note that #43 is pre-patinaed copper and #40 is bare galvalume with gold leafing on the cross.

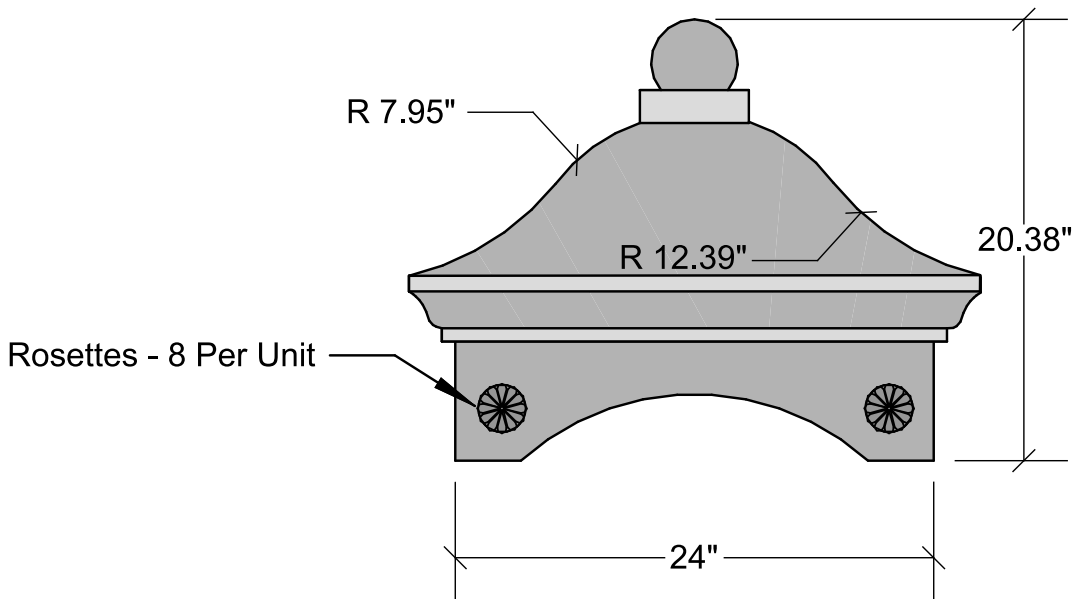
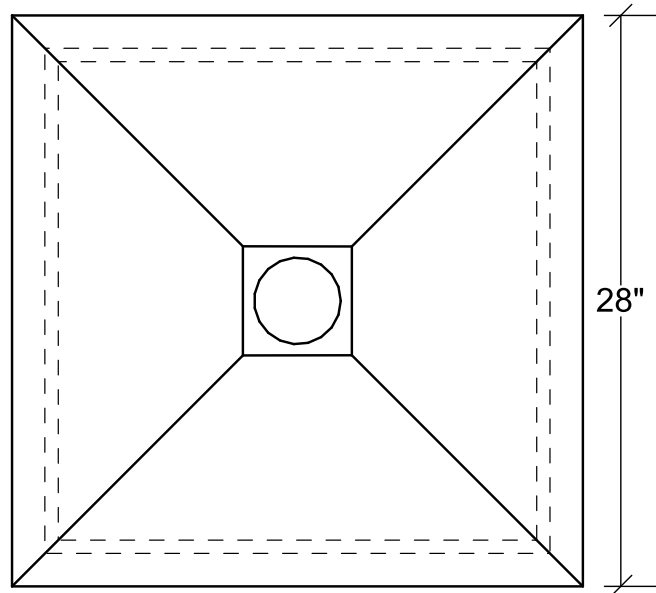


353 Long Creek Road
Sunnyvale, Texas 75182
972.226.4440 Phone
972.226.4441 Fax
beach@beachsheetmetal.com
www.beachsheetmetal.com

Column Caps

353 Long Creek Road • Sunnyvale, Texas 75182 • 972.226.4440 Phone
972.226.4441 Fax • beach@beachsheetmetal.com • www.beachsheetmetal.com

The Potomac



Column Caps are fabricated proportionately to your specific column size.

Awnings

If you should need to protect doors or windows from damaging rain or sun, Beach Sheet Metal can fabricate custom awnings that will provide you such protection and enhance the architectural appeal of the project.

These units are free-standing thus needing no additional framing.

Recessed lighting, built-in gutters and ornamental support brackets are a few of the many features that can be designed into these units.

Send us a photograph of your special condition for assistance in designing an awning that will address your special needs.

Please note that Awnings #45 and #46 are lead coated copper.



353 Long Creek Road
Sunnyvale, Texas 75182
972.226.4440 Phone
972.226.4441 Fax
beach@beachsheetmetal.com
www.beachsheetmetal.com

Vent Hoods

Beach Sheet Metal Company vent hoods are each custom designed to be as special and unique as the kitchen you have created.

No drawings are included in this section as there are no “standard models”.

These vent hoods can be fabricated with blower units and lighting.

Let us help you make your kitchen even more special with the addition of a beautiful vent hood.



121

The Templeton



119

The Halifax



120

The Carona



3

The Bell Shape (Shaw)



80

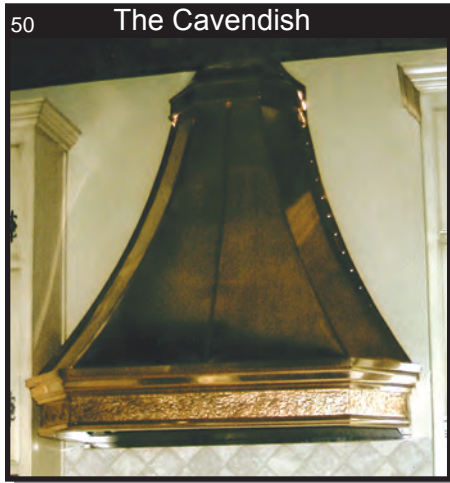
The Oates (Lexington)



48

The Ellerman

Vent Hoods (Continued)

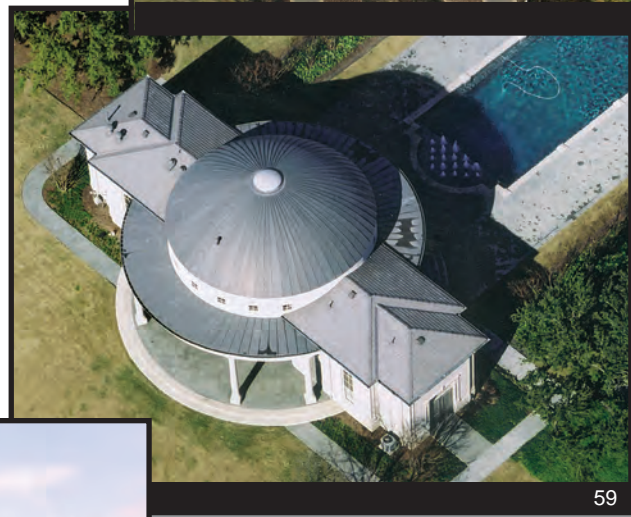


353 Long Creek Road
Sunnyvale, Texas 75182
972.226.4440 Phone
972.226.4441 Fax
beach@beachsheetmetal.com
www.beachsheetmetal.com

Roofs

In the Texas area, Beach Sheet Metal Company also installs architectural metal roof systems.

Pictured are a few of our recent installations. Please give us a call if we can assist you with a metal roof system.



353 Long Creek Road
Sunnyvale, Texas 75182
972.226.4440 Phone
972.226.4441 Fax
beach@beachsheetmetal.com
www.beachsheetmetal.com

Beach Sheet Metal Company, Inc.
60+ Years of Experience Hand Crafting
Architectural Metal Work
with the Old World Detail



INTERNATIONAL BUILDERS SHOW DISPLAY

107



17



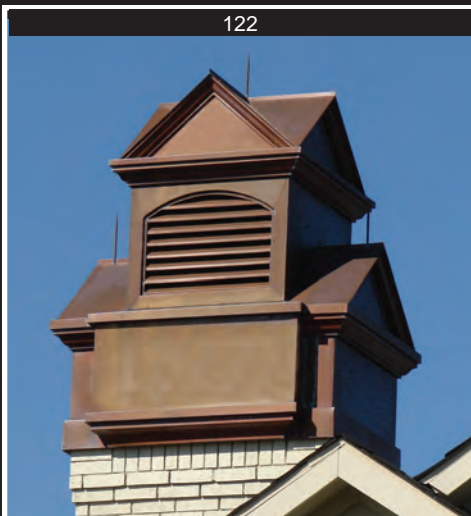
16



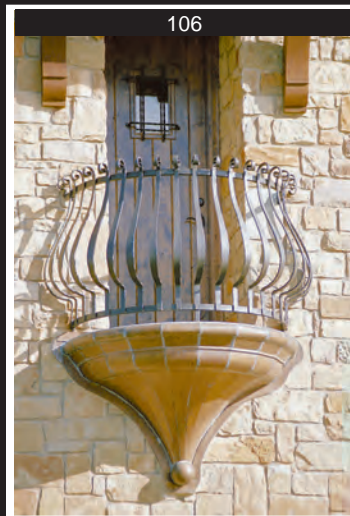
18



88



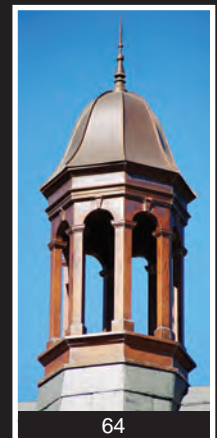
122



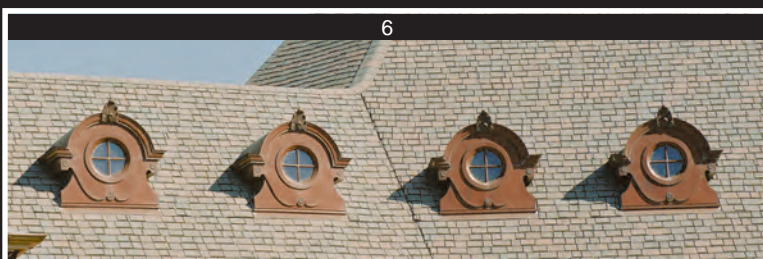
106



102



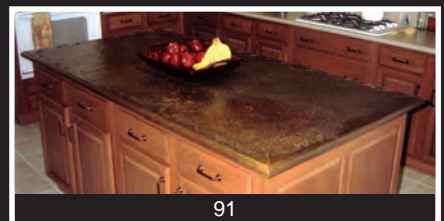
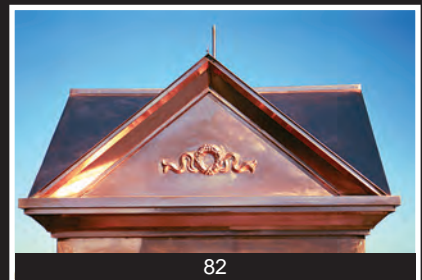
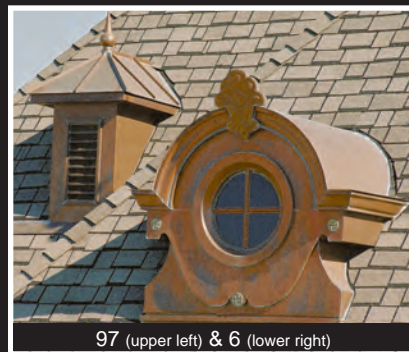
64



6



98



108

Product Photo Number Index

13

LEGEND: A ⊕ after the product name denotes a Photo in this catalog. A ⊕ denotes a product Drawing in this catalog. Click on the ⊕ or the ⊕ to link to that products photo or drawing page.

Photo Number/Name/Product Section

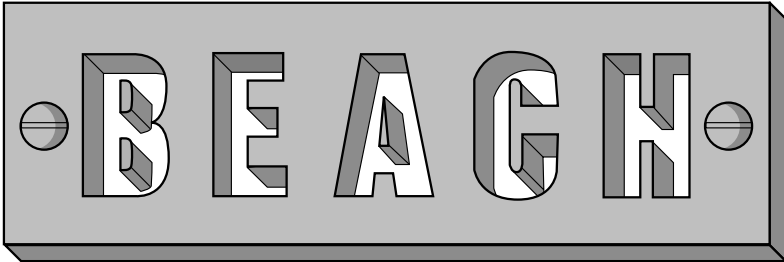
1 - Stewart (Dormer) ⊕⊕
2 - Kensington (Cupola) ⊕⊕
3 - Bell Shape (Shaw) ⊕
(Specialty Products)
4 - Hand Crafted Artistry ⊕
5 - Williamsburg (Dormer) ⊕
6 - Wilshire (Dormer) ⊕⊕
7 - Bellaire (Dormer) ⊕
8 - Bellagio (Dormer) ⊕
9 - Adams (Dormer) ⊕⊕
10 - Valencia (Dormer) ⊕⊕
11 - Normandy (Dormer) ⊕⊕
12 - Cavendish (Dormer) ⊕⊕
13 - Roundtop (Dormer) ⊕⊕
14 - Half-Round (Dormer) ⊕⊕
15 - Chisholm (Cupola) ⊕⊕
16 - Plantation (Cupola) ⊕
17 - Glendenny (Cupola) ⊕
18 - Lobello (Cupola) ⊕⊕
19 - Ellerman (Cupola) ⊕⊕
20 - Chateau (Cupola) ⊕⊕
21 - Vanderbilt (Cupola) ⊕⊕
22 - Glenwick (Cupola) ⊕⊕
23 - Lafayette (Conductor Head) ⊕⊕
24 - Royale (Conductor Head) ⊕⊕
25 - Princeton (Conductor Head) ⊕⊕
26 - Wimbledon (Conductor Head) ⊕⊕
27 - Montclair (Finial) ⊕
28 - Loposer (Finial) ⊕
29 - Essex (Finial) ⊕⊕
30 - Devonshire (Finial) ⊕⊕
31 - Turrett (Finial) ⊕⊕
32 - Traditional (Chimney Cap) ⊕⊕
33 - European (Chimney Cap) ⊕⊕
34 - Seville (Chimney Cap) ⊕
35 - Brentwood (Chimney Cap) ⊕⊕
36 - Majestic (Chimney Cap) ⊕⊕
37 - Roundtop (Chimney Cap) ⊕
38 - Copper Counter Top ⊕
(Specialty Products)
39 - Outdoor Fireplace ⊕
(Specialty Products)
40 - Cross (Specialty Products) ⊕
41 - Mail Box (Specialty Products) ⊕
42 - Fireplace Door (Specialty Products) ⊕
43 - Column Cap (Specialty Products) ⊕
44 - Awning (Specialty Products) ⊕
45 - Awning (Specialty Products) ⊕
46 - Awning (Specialty Products) ⊕
47 - Awning (Specialty Products) ⊕
48 - Ellerman (Specialty Products) ⊕

Photo Number/Name/Product Section

49 - Barcus (Specialty Products) ⊕
50 - Cavendish (Specialty Products) ⊕
51 - Goff (Specialty Products)
52 - Deloache (Specialty Products) ⊕
53 - Osborne (Specialty Products) ⊕
54 - Bell Shape (Oak Drive) ⊕
(Specialty Products)
55 - Roof (Specialty Products) ⊕
56 - Roof (Specialty Products) ⊕
57 - Roof (Specialty Products) ⊕
58 - Roof (Specialty Products) ⊕
59 - Roof (Specialty Products) ⊕
60 - Roof (Specialty Products) ⊕
61 - Provencial (Dormer) ⊕
62 - Monticello (Dormer) ⊕⊕
63 - Marseille (Dormer) ⊕⊕
64 - Meadow Brook (Cupola) ⊕
65 - Hill Country (Conductor Head) ⊕⊕
66 - Broadstone (Finial) ⊕⊕
67 - Stoneleigh (Finial) ⊕
68 - Gothic (Finial) ⊕⊕
69 - Strasborough (Finial) ⊕⊕
70 - Gothic (Chimney Cap) ⊕
71 - Mount Vernon (Chimney Cap) ⊕⊕
72 - Mont Blanc (Dormer) ⊕⊕
73 - Gable (Chimney Cap) ⊕⊕
74 - Belclaire (Dormer) ⊕
75 - Madison (Dormer) ⊕⊕
76 - Windomere (Cupola) ⊕⊕
77 - Nottingham (Cupola) ⊕⊕
78 - Canterbury (Cupola) ⊕⊕
79 - Horton (Specialty Products) ⊕
80 - Oates (Lexington) ⊕
(Specialty Products)
81 - Hensler (Dormer) ⊕
82 - Hampton (Cupola) ⊕⊕
83 - Rancher (Cupola) ⊕⊕
84 - Counter (Specialty Products) ⊕
85 - Hughston (Specialty Products) ⊕
86 - Essex (Finial with Radius Ridge) ⊕
87 - Awning (Specialty Products)
88 - Cupola ⊕
89 - Stiles (Specialty Products) ⊕
90 - Waterview (Specialty Products) ⊕
91 - Counter Top (Specialty Products) ⊕
92 - Abbey (Specialty Products) ⊕
93 - Pot Rack (Specialty Products) ⊕
94 - The Potomac (Column Cap) ⊕⊕
(Specialty Products)
95 - Laurentien (Dormer) ⊕
96 - Awning (Specialty Products)

Photo Number/Name/Product Section

97 - Stiles (Dormer) ⊕⊕
98 - Monticello Gable (Dormer) ⊕⊕
99 - Avida (Chimney Cap) ⊕
100 - Desco (Finial) ⊕
101 - Park Lane (Dormer) ⊕
102 - Falls (Cupola) ⊕
103 - Landry (Dormer) ⊕
104 - Buchanan (Dormer) ⊕
105 - Tri-State (Dormer) ⊕
106 - DeCavitte Balcony Ornamentation ⊕
107 - 2006 I.B.S. Show Display ⊕
(Left side)
108 - 2006 I.B.S. Show Display ⊕
(Right side)
109 - Landon (Chimney Cap) ⊕
110 - Duvall (Conductor Head) ⊕
111 - Custom Dormers ⊕
112 - Hughes (Dormer) ⊕
113 - Lexington (Conductor Head) ⊕⊕
114 - Wentworth (Conductor Head) ⊕⊕
115 - Garabedian (Finial) ⊕⊕
116 - Braswell (Finial) ⊕
117 - Westchester (Chimney Cap) ⊕
118 - Brighton (Finial) ⊕
119 - Halifax (Specialty Products) ⊕
120 - Carona (Specialty Products) ⊕
121 - Templeton (Specialty Products) ⊕
122 - Templeton (Chimney Cap) ⊕
123 - Harris (Awning) ⊕
124 - Outdoor Bell Shape (Harris) ⊕
(Specialty Products)
125 - Butterfly (Dormer) ⊕
126 - Gable (Dormer) ⊕
127 - Lorraine (Dormer) ⊕
128 - Mediterranean (Dormer) ⊕
129 - Regency (Dormer) ⊕
130 - Roundtop Moulded (Dormer) ⊕
131 - Swooped (Dormer) ⊕
132 - Colonial (Cupola) ⊕
133 - Rushmore (Cupola) ⊕
134 - Windsor (Cupola) ⊕
135 - Oblique (Finial) ⊕
136 - Sahara (Finial) ⊕
137 - Sphere (Finial) ⊕



BEACH SHEET METAL COMPANY, INC.

“Pride in Workmanship Since 1952”

**We welcome the opportunity to assist you with your custom needs!
Call us today! 972-226-4440**

**Beach Sheet Metal Company, Inc.
Volume 10 • 2012 Edition**

*Catalog designed by KT Publishing, Inc.
designs@ktpublishing.com • 469-366-5306*

*Catalog printed by Executive Press, Inc.
tsadler@executivepress.com • 214-217-7000*

Printed with soy based inks on FSC certified paper